

DATE:

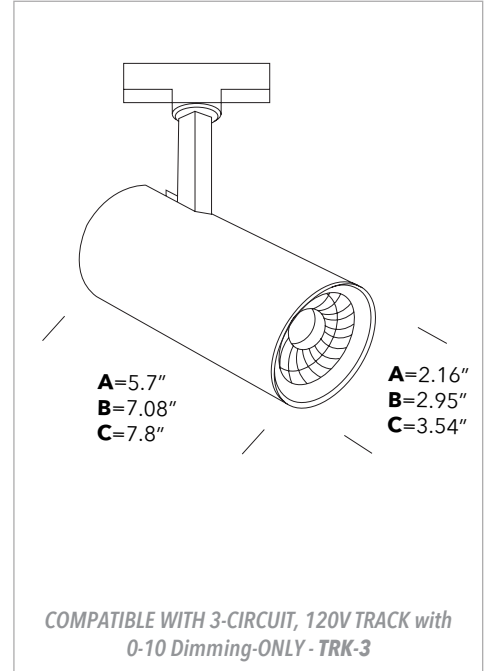
CUSTOMER:

PROJECT:

QUANTITY:

# JETTSON *D65642AT, D65642BT, D65642CT* 10W, 20W, & 30W COB LED 38° beam 3000K or 4000K Track Spot

IP20



EXAMPLE:

FAMILY	ITEM#	WATTAGE	CCT	BEAM	FINISH	RING	DRIVER	VOLTAGE
JETTSON	D65642BT	20	30	38	B	BBS	A	120



FAMILY	ITEM#	WATTAGE	CCT	BEAM	FINISH	RING	DRIVER	VOLTAGE
JETTSON								
	D65642AT	10 10W	30 3000K	38 38°	B BLACK	B BLK	A 0-10V	120 120V
	D65642BT	20 20W	40 4000K	+15 +15°*	W WHITE	W WHT		
	D65642CT	30 30W			BBS BRSH BRASS BHC BLK HNYCMB			

<b>NOTES</b>	This fixture is compatible with the TRK-3, 120V, 0-10 dimming, 3-circuit track system.	+15°* = <b>Optional</b> additional 15° Lens (38° comes standard)	<b>WEB LINKS:</b>