

DATE:

CUSTOMER:

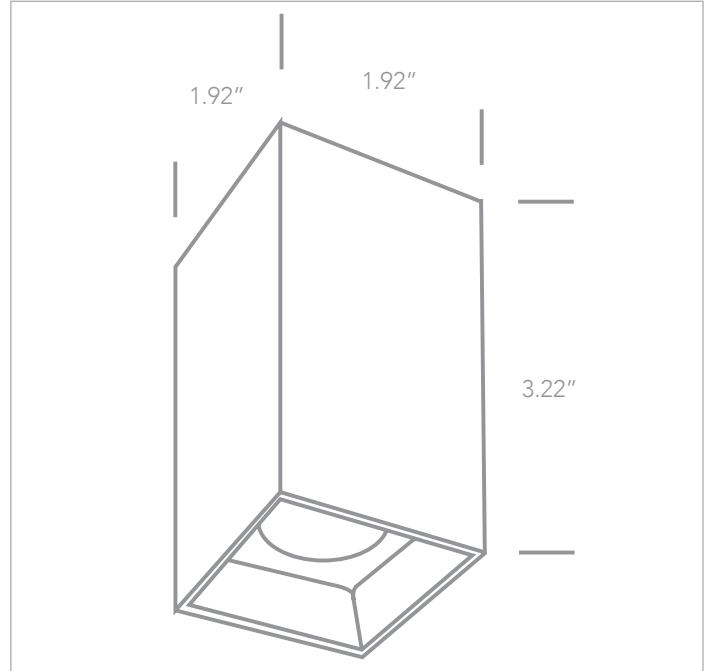
PROJECT:

QUANTITY:

# KELLYDC

D12106B  
6W COB LED surface spot w/ Dark Chrome reflector

IP20



EXAMPLE:

FAMILY	ITEM#	WATTAGE	LUMENS	CCT	BEAM	FINISH	DRIVER	IP RATING	INPUT VOLTAGE
KELLYDC	D12106B	6W	480lm	30	38	W	N	20	120



FAMILY	ITEM#	WATTAGE	LUMENS	CCT	BEAM	FINISH	DRIVER	IP RATING	INPUT VOLTAGE
KELLYDC	D12106B	6W	480lm	30 3000K	38 38°	W WHITE B BLACK	N NON-DIM	20 IP20	120/277 120V - 277V

<b>NOTES</b>	<p><b>D12106B:</b> Each fixture includes a 4.5" square mounting plate for attaching to a standard 3" octagonal junction box. Color will match fixture.</p> <p><i>NON-DIMMING UNDER 10 WATTS</i></p>	3000K CCT = Warm White	<b>WEB LINKS:</b>
--------------	---	------------------------	-------------------