

DATE:

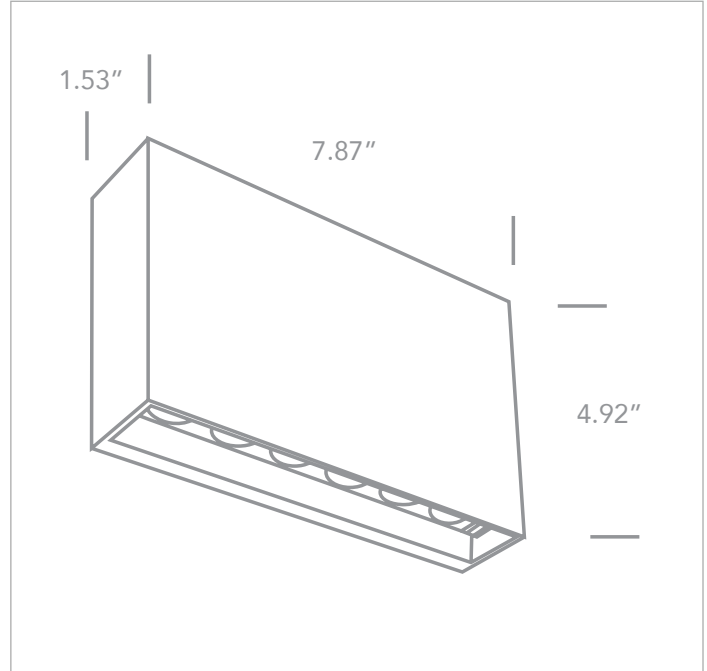
CUSTOMER:

PROJECT:

QUANTITY:

KOTZA65 D67472, D67472A

LED 2x6W Outdoor Up & Down & 6W Outdoor Down Wall Light 



EXAMPLE:

FAMILY	ITEM#	WATTAGE	LUMENS	CCT	BEAM	FINISH	DRIVER	IP RATING	INPUT VOLTAGE
KOTZA65	D67472AN	2x6W	2x500lm	V	G	AN	N	65	120



FAMILY	ITEM#	WATTAGE	LUMENS	CCT	BEAM	FINISH	DRIVER	IP RATING	INPUT VOLTAGE
KOTZA65	D67472AN	2x6W	2x500lm	V VARIABLE	G GENERAL	AN ANTHRACITE	N NON-DIM	65	120/277
	D67472AAN	6W	500lm	V VARIABLE	G GENERAL	AN ANTHRACITE	N NON-DIM	65	120/277

NOTES	D67472 / D67472A: Each fixture includes a 4.5" x 10.25" rectangular mounting plate for attaching to a standard 3" octagonal junction box. Color will match fixture.	VARIABLE CCT: 2700K CCT 3300K CCT 4000K CCT	WEB LINKS: D67472 D67472A
	NON-DIMMING UNDER 10 WATTS		