

DATE:

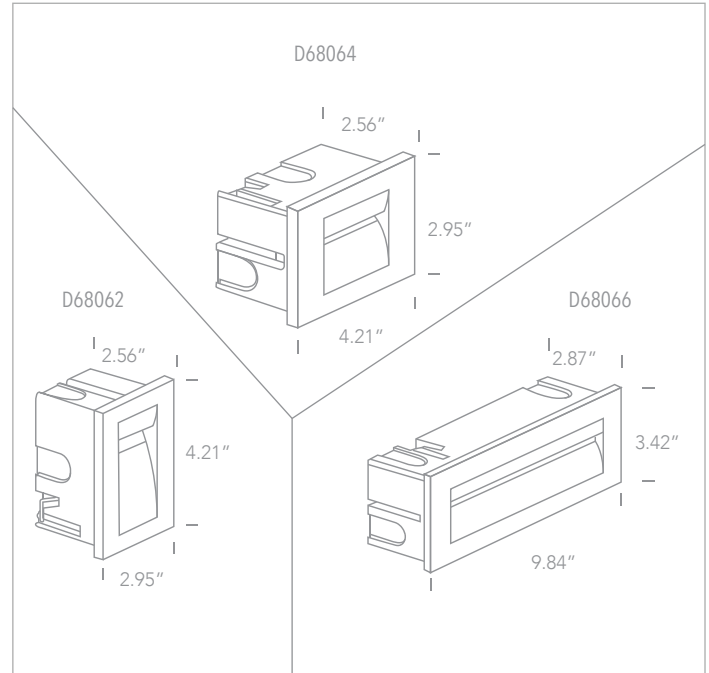
CUSTOMER:

PROJECT:

QUANTITY:

KAHN

D68062 / D68064 / D68066
3.6W / 3.6W / 8.5W Outdoor LED Dark Light Recessed Wall Light



EXAMPLE:

FAMILY	ITEM#	WATTAGE	LUMENS	CCT	BEAM	FINISH	DRIVER	IP RATING	INPUT VOLTAGE
KAHN	D68064G	3.6W	85lm	30	44	G	N	65	120



FAMILY	ITEM#	WATTAGE	LUMENS	CCT	BEAM	FINISH	DRIVER	IP RATING	INPUT VOLTAGE
KAHN	D68062W	3.6W	100lm	30 3000K	53 53°	W WHITE	N Non-Dim	65 IP65	120 120V
	D68062AN	3.6W	100lm	30 3000K	53 53°	AN ANTHRACITE	N Non-Dim	65 IP65	120 120V
	D68062G	3.6W	100lm	30 3000K	53 53°	G GREY	N Non-Dim	65 IP65	120 120V
	D68064W	3.6W	85lm	30 3000K	44 44°	W WHITE	N Non-Dim	65 IP65	120 120V
	D68064AN	3.6W	85lm	30 3000K	44 44°	AN ANTHRACITE	N Non-Dim	65 IP65	120 120V
	D68064G	3.6W	85lm	30 3000K	44 44°	G GREY	N Non-Dim	65 IP65	120 120V
	D68066W	8.5W	150lm	30 3000K	44 44°	W WHITE	N Non-Dim	65 IP65	120 120V
	D68066AN	8.5W	150lm	30 3000K	44 44°	AN ANTHRACITE	N Non-Dim	65 IP65	120 120V
	D68066G	8.5W	150lm	30 3000K	44 44°	G GREY	N Non-Dim	65 IP65	120 120V

NOTES	