



# Inground Bollard LED




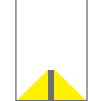







**LED BUILT IN**

**80 CRI**


**D67410** | 12W | LED Inground Bollard


**IP65**



0-10V dimming option, available for 277V




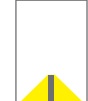
FAMILY	ITEM#	WATTAGE	LUMENS	CCT	BEAM	FINISH	DRIVER	IP RATING	INPUT VOLTAGE
CAPRI	D67410	12W	1000lm	3000K	G	ANTHRACITE	0-10V	IP65	120V - 277V



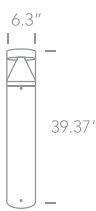
**LED BUILT IN**

**80 CRI**

**D67410A** | 20W | LED Inground Bollard


**IP65**






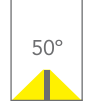


0-10V dimming option, available for 277V


FAMILY	ITEM#	WATTAGE	LUMENS	CCT	BEAM	FINISH	DRIVER	IP RATING	INPUT VOLTAGE
CAPRI	D67410 A	20W	1600lm	3000K	G	ANTHRACITE	0-10V	IP65	120V - 277V


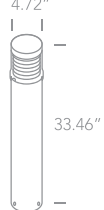
Inground Bollard LED



D67034 | 15W | LED Inground Bollard



0-10V dimming option, available for 277V

FAMILY	ITEM#	WATTAGE	LUMENS	CCT	BEAM	FINISH	IP RATING	INPUT VOLTAGE
SANTOS	D67034AN	15W	450lm	3000K	50°	ANTHRACITE	IP54	120V - 277V

