





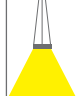




Ceiling Pendant LED

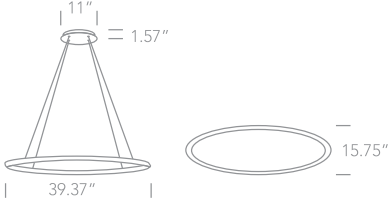




D63046 | 25W | LED Ceiling Pendant

IP20









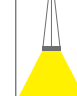
Each fixture includes a 5" round mounting plate for attaching to a standard 3" octagonal junction box. Color will match fixture.

0-10V dimming option, available for 277V

FAMILY	ITEM#	WATTAGE	LUMENS	CCT	BEAM	FINISH	DRIVER	IP RATING	INPUT VOLTAGE
RINGPEND25	D63046	25W	1540lm	3000K	G	WHITE	0-10V	IP20	120V-277V

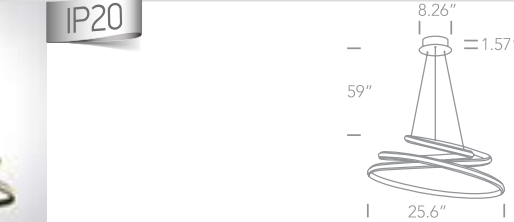




D63046A | 45W | LED Ceiling Pendant

IP20









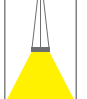
Each fixture includes a 5" round mounting plate for attaching to a standard 3" octagonal junction box. Color will match fixture.

0-10V dimming option, available for 277V

FAMILY	ITEM#	WATTAGE	LUMENS	CCT	BEAM	FINISH	DRIVER	IP RATING	INPUT VOLTAGE
RINGPEND45	D67362AW	45W	2700lm	3000K	G	WHITE	0-10V	IP20	120V-277V
RINGPEND45	D67362AB	45W	2700lm	3000K	G	BLACK	0-10V	IP20	120V-277V



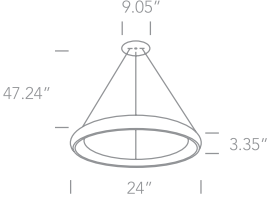


**variable CCT:
3000K - 4000K - 5000K Adjustable*

D62144NB | 50W | LED Ceiling Pendant


IP20



Each fixture includes a 5" round mounting plate for attaching to a standard 3" octagonal junction box. Color will match fixture.





0-10V dimming option, available for 277V

FAMILY	ITEM#	WATTAGE	LUMENS	CCT	BEAM	FINISH	DRIVER	IP RATING	INPUT VOLTAGE
RINGPENDBS	62144NB	50W	2750lm	*variable	G	BRSH BRASS	0-10V	IP20	120V-277V



☎ 866.356.4458


solavantilighting.com





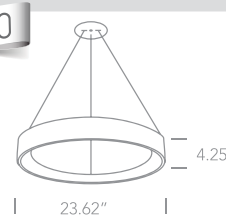





*variable CCT: 3000K - 4000K - 5000K Adjustable

D62142NB | 42W | LED Pendant



IP20

4.25"

23.62"

0-10V dimming option, available for 277V

Each fixture includes a 5" round mounting plate for attaching to a standard 3" octagonal junction box. Color will match fixture.

FAMILY	ITEM#	WATTAGE	LUMENS	CCT	BEAM	FINISH	DRIVER	IP RATING	INPUT VOLTAGE
PLAFPEND	D62142NBW	42W	2520lm	*variable	G	WHITE	0-10V	IP20	120V-277V
PLAFPEND	D62142NBAN	42W	2520lm	*variable	G	ANTHRACITE	0-10V	IP20	120V-277V










*variable CCT:
3000K - 4000K - 5000K Adjustable

D38140AU | 40W | SMD 2835 LED | Dark Light *Suspended Linear Diffuser w/ Uplight*



Each fixture includes a 5" round mounting plate for attaching to a standard 3" octagonal junction box. Color will match fixture.



0-10V dimming option, available for 277V

FAMILY	ITEM#	WATTAGE	LIGHT COLOR	CCT	BEAM	LUMENS	FINISH	DRIVER	INPUT VOLTAGE
LINKID	D38140AUWC	40W	Cool White	*variable	G	3600lm	WHITE	0-10V	120V-277V
LINKID	D38140AUWW	40W	Warm White	*variable	G	3600lm	WHITE	0-10V	120V-277V
LINKID	D38140AUBC	40W	Cool White	*variable	G	3600lm	BLACK	0-10V	120V-277V
LINKID	D38140AUBW	40W	Warm White	*variable	G	3600lm	BLACK	0-10V	120V-277V



866.356.4458

solavantlighting.com















34°

D38150BR | 40W | SMD 3030 LED | Dark Light UGR17 *Recessed Linear w/ Diffuser*



Remote Driver Enclosure = 6" x 10" x 2" w/10' Standard Connecting Cable





0-10V dimming option, available for 277V

FAMILY	ITEM#	WATTAGE	LIGHT COLOR	CCT	BEAM	LUMENS	FINISH	DRIVER	INPUT VOLTAGE
RLINDKU	D38150BRWC	40W	Cool White	4000K	34°	4000lm	WHITE	0-10V	120V-277V
RLINDKU	D38150BRWW	40W	Warm White	3000K	34°	4000lm	WHITE	0-10V	120V-277V
RLINDKU	D38150BRBC	40W	Cool White	4000K	34°	4000lm	BLACK	0-10V	120V-277V
RLINDKU	D38150BRBW	40W	Warm White	3000K	34°	4000lm	BLACK	0-10V	120V-277V








D38150AR | 40W | SMD 2835 LED | UGR19 Recessed Linear w/ Diffuser




Remote Driver Enclosure = 6" x 10" x 2" w/10' Standard Connecting Cable







0-10V dimming option, available for 277V

FAMILY	ITEM#	WATTAGE	LIGHT COLOR	CCT	BEAM	LUMENS	FINISH	DRIVER	INPUT VOLTAGE
RLINU	D38150ARWC	40W	Cool White	4000K	120°	3600lm	WHITE	0-10V	120V-277V
RLINU	D38150ARWW	40W	Warm White	3000K	120°	3600lm	WHITE	0-10V	120V-277V








D38152R | 40W | SMD 2835 LED | Recessed Linear w/ Diffuser



Remote Driver Enclosure = 6" x 10" x 2" w/10' Standard Connecting Cable



0-10V dimming option, available for 277V

FAMILY	ITEM#	WATTAGE	LIGHT COLOR	CCT	BEAM	LUMENS	FINISH	DRIVER	INPUT VOLTAGE
RLINSYS	D38152RWC	40W	Cool White	VARIABLE	120°	3600lm	WHITE	0-10V	120V-277V
RLINSYS	D38152RWW	40W	Warm White	VARIABLE	120°	3600lm	WHITE	0-10V	120V-277V











D65524T | 12W | COB LED Dark Light | Aluminum Adjustable Track Spot w/ Honeycomb
















0-10V dimming option, available for 277V


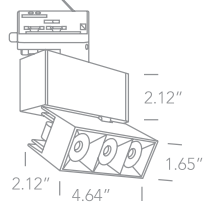
FAMILY	ITEM#	WATTAGE	LIGHT COLOR	CCT	BEAM	LUMENS	FINISH	DRIVER	INPUT VOLTAGE
HEATHER	D65524TW	12W	Warm White	3000K	36°	1000lm	WHITE	0-10V	120V-277V
HEATHER	D65524TB	12W	Warm White	3000K	36°	1000lm	BLACK	0-10V	120V-277V
HEATHER	D65524TBBS	12W	Warm White	3000K	36°	1000lm	BRUSHED BRASS	0-10V	120V-277V




D65306BT | 12W | COB LED | Diecast Adjustable Track Spot












0-10V dimming option, available for 277V


FAMILY	ITEM#	WATTAGE	LIGHT COLOR	CCT	BEAM	LUMENS	FINISH	DRIVER	INPUT VOLTAGE
PARKER	D65306BTW	12W	Warm White	3000K	38°	960lm	WHITE	0-10V	120V-277V
PARKER	D65306BTB	12W	Warm White	3000K	38°	960lm	BLACK	0-10V	120V-277V


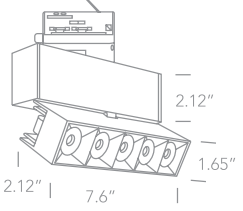



D65506BT | 20W | COB LED | Diecast Adjustable Track Spot





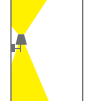


0-10V dimming option, available for 277V


FAMILY	ITEM#	WATTAGE	LIGHT COLOR	CCT	BEAM	LUMENS	FINISH	DRIVER	INPUT VOLTAGE
PARKER	D65506BTW	20W	Warm White	3000K	38°	1600lm	WHITE	0-10V	120V-277V
PARKER	D65506BTB	20W	Warm White	3000K	38°	1600lm	BLACK	0-10V	120V-277V



D61076 | 40W | E27 LED | *Decorative Wall Circular Bedside Lamp w/ ON/OFF Switch*


IP20







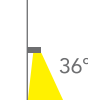


Each fixture includes a 4.5" x 6.5" rectangular white mounting plate for attaching to a standard 3" octagonal junction box. Color will match fixture.

0-10V dimming option, available for 277V

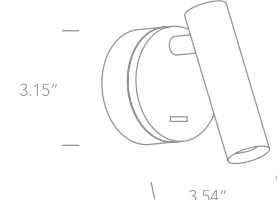
FAMILY	ITEM#	WATTAGE	FINISH	IP RATING	INPUT VOLTAGE
BSW20	D61076BBS	40W	BRUSHED BRASS	IP20	120V - 277V



D65738 | 3W | COB LED *Bedside Adjustable Fitting Wall Lamp*


IP20






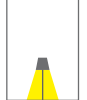


Each fixture includes a 5" round mounting plate for attaching to a standard 3" octagonal junction box. Color will match fixture.

120V Not dimmable, 277V consult for dimming

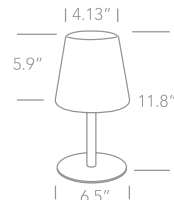
FAMILY	ITEM#	WATTAGE	LUMENS	CCT	BEAM	FINISH	IP RATING	INPUT VOLTAGE
OSCAR	D65738	3W	160lm	3000K	36°	BRSHD BRASS	IP20	120V - 277V



D61084 | 2W | SMD LED | *Touch Switch 3-Step Dimming *Rechargeable Table Lamp*


IP44




*RECHARGEABLE USB SOCKET - Charging Time: 4 Hrs
Working Time: 8 Hrs
(2200mAh lithium battery)

FAMILY	ITEM#	WATTAGE	LUMENS	CCT	LIGHT COLOR	FINISH	IP RATING	INPUT VOLTAGE
RDTL44	D61084B	2W	80lm	3000K	Warm White	BLACK	IP44	120V - 277V


 866.356.4458
solavantilighting.com
   






LED
BUILT IN

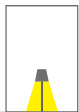
80
CRI









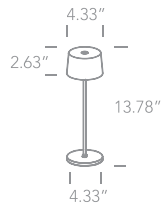




D61082A | 3.3W | SMD LED | Touch Switch Dimmable *Rechargeable Table Lamp







*RECHARGEABLE USB SOCKET - Charging Time: 6 Hrs
Working Time: 9 Hrs
(2x2200mAh lithium battery)

FAMILY	ITEM#	WATTAGE	LUMENS	CCT	LIGHT COLOR	FINISH	IP RATING	INPUT VOLTAGE
RDTL65	D61082AW	3.3W	200lm	3000K	Warm White	WHITE	IP65	120V - 277V
RDTL65	D61082AB	3.3W	200lm	3000K	Warm White	BROWN	IP65	120V - 277V