

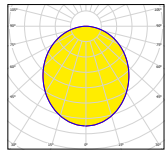
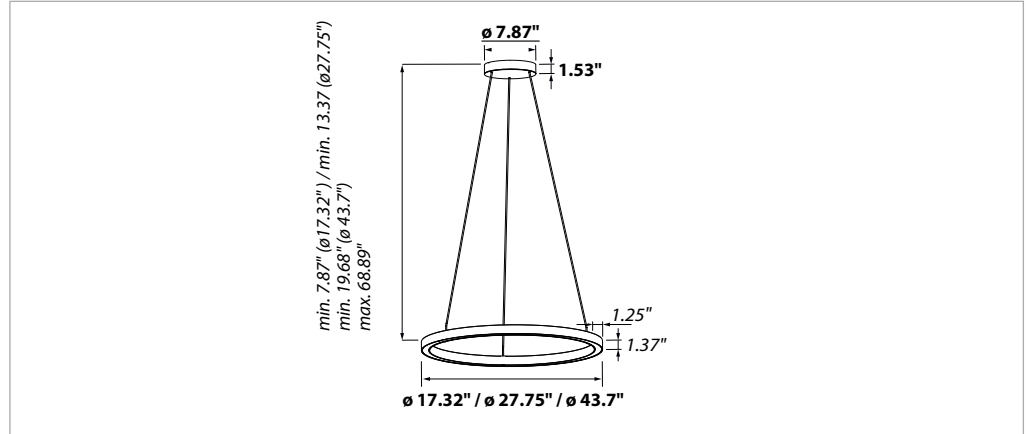
DATE:

CUSTOMER:

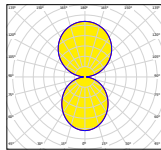
PROJECT:

QUANTITY:

SINUS-P-30 *Ring LED Direct & Direct / Indirect Ceiling Pendant Lights*



direct






direct/indirect

EXAMPLE:

FAMILY	ITEM# / SIZE	ILLUM STYLE	WATTAGE	LUMENS	CCT	CRI	DIFFUSER	FINISH	DRIVER	INPUT VOLTAGE
SINUS	SNSP30B - ø27.75"	DI	63	9137lm	40	80	S	B	N	U



FAMILY	ITEM# / SIZE	ILLUM STYLE	WATTAGE	LUMENS	CCT	CRI	DIFFUSER	FINISH	DRIVER	INPUT VOLTAGE	
SINUS	SNSP30A - ø17.32" SNSP30B - ø27.75" SNSP30C - ø43.7"	D  direct	21W	2552lm	30	3000K	80 80	S satiné	S silver W white B black R RAL 	N non-dim A 0-10V	U universal
			32W	4117lm	40	4000K	90 90				
		DI  direct / indirect	38W	5583lm							
			63W 99W	9137lm 14466lm							

NOTES	INCLUDED: Ø 5.0" mounting plate	WEB LINKS: Product Page
--------------	--	-----------------------------------