

DATE:

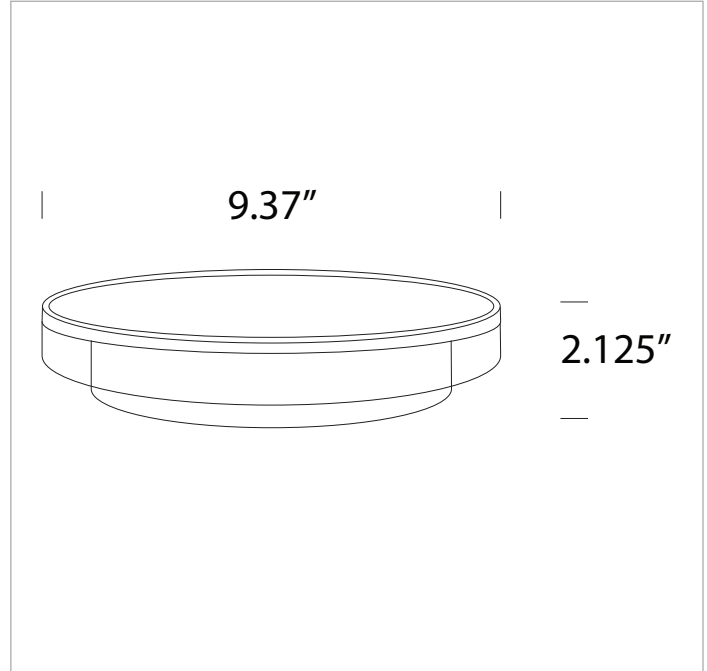
CUSTOMER:

PROJECT:

QUANTITY:

# ECLIPSE *D67478-W, D67478-B*

*12W LED Wall / Ceiling Surface, Indoor / Outdoor Dark Light*



EXAMPLE:

FAMILY	ITEM#	WATTAGE	LUMENS	CCT	BEAM	FINISH	DRIVER	IP RATING	INPUT VOLTAGE
ECLIPSE	D67478-W	12W	325lm	30	G	W	N	65	UNI



FAMILY	ITEM#	WATTAGE	LUMENS	CCT	BEAM	FINISH	DRIVER	IP RATING	INPUT VOLTAGE	
ECLIPSE	D67478-W	12W	325lm	30	3000K	G General	W WHITE	N NON-DIM	65 IP65	UNI universal
	D67478-B	12W	325lm	30	3000K	G General	B BLACK	N NON-DIM	65 IP65	UNI universal

<b>NOTES</b>			<b>WEB LINKS:</b>		