

DATE:

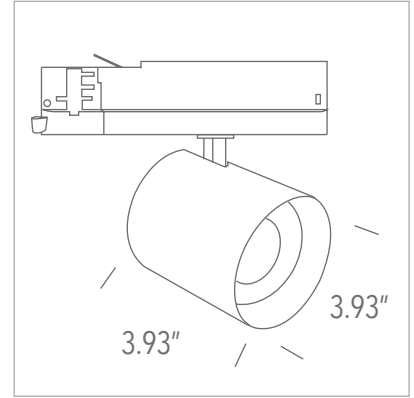
CUSTOMER:

PROJECT:

QUANTITY:

ENNO *D65660BTL-W, D65660BTL-B*

35W DALI-Dimmable COB LED track spot for standard 3 phase track. IP20



COMPATIBLE WITH 3-CIRCUIT, 120V TRACK with 0-10 Dimming-ONLY - TRK-3



FAMILY	ITEM#	WATTAGE	LUMENS	CCT	BEAM	FINISH	DRIVER	INPUT VOLTAGE
ENNO	D65660BTL	35 35W	4200 4200lm	30 3000K 40 4000K	38 38°	B BLACK W WHITE	A 0-10V	120 120V

EXAMPLE:

FAMILY	ITEM#	WATTAGE	LUMENS	CCT	BEAM	FINISH	DRIVER	INPUT VOLTAGE
ENNO	D65660BTL	35	4200	30	38	B	A	120

NOTES

This fixture is compatible with the TRK-3, 120V, 0-10 dimming, 3-circuit track system.

WEB LINKS: