

date

customer

project

quantity

DOTTIE

E27 1x20W, 3x20W, and 5x20W cylinder pendants in choice of black or brushed brass finish, and copper finish available for the single version.
78.74" max suspension, IP20. LED bulb not included.

D63124



D63124B



D63124C



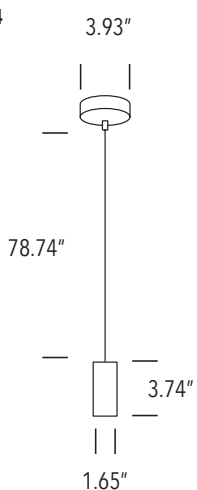
Family	Option / Description	Finish	Lamp	IP Rating	Input Voltage		
DOTTIE							
	D63124 D63124B D63124C	20W bowl shade pendant	B BBS CU*	black brushed brass copper	E27 E27	20 IP20	120 120V input

NOTES*: Copper finish only available for D63124

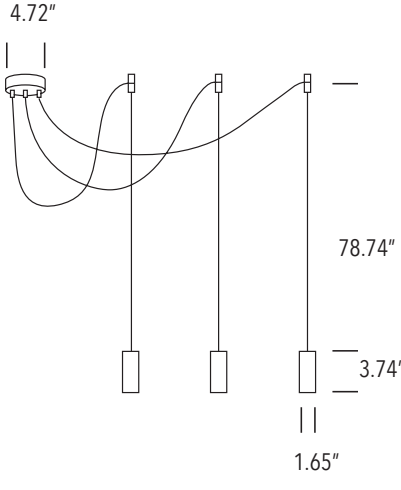
example...

Family	Option / Description	Finish	Lamp	IP Rating	Input Voltage
DOTTIE	D63124B	BBS	E27	20	120

D63124



D63124B



D63124C

