

DATE:

CUSTOMER:

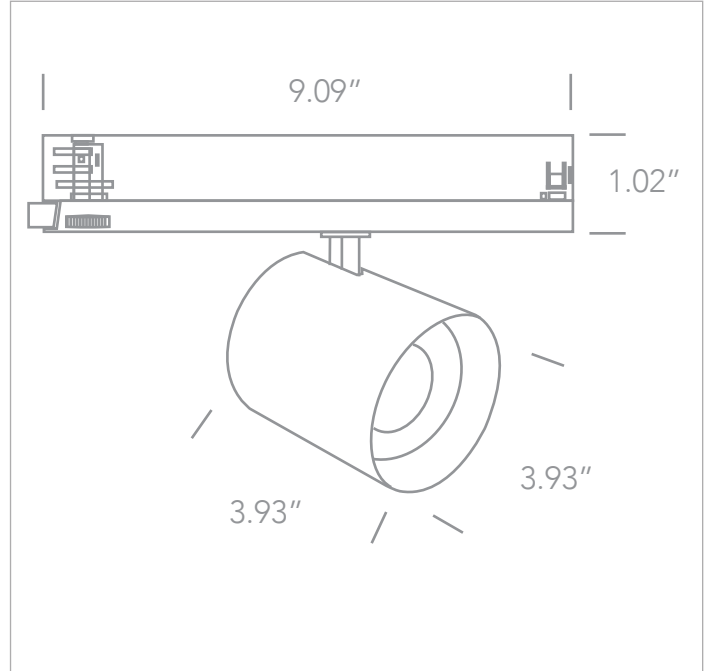
PROJECT:

QUANTITY:

STUDIO-B *D65660BTL*

35W COB LED Track Spot for standard 3-phase track

IP20



EXAMPLE:

FAMILY	ITEM#	WATTAGE	LUMENS	CCT	BEAM	FINISH	RING COLOR	DRIVER	INPUT VOLTAGE
STUDIO-B	D65660BTL	35W	4200lm	40	38	B	BS	A	120

3000K CCT = Warm White



FAMILY	ITEM#	WATTAGE	LUMENS	CCT	BEAM	FINISH	RING COLOR	DRIVER	INPUT VOLTAGE
STUDIO-B	D65660BTL	35W	4200lm	30 3000K 40 4000K	38 38° 15 15° 24 24°	W WHITE B BLACK	W WHITE BS BRASS BH BLACK w/honeycomb	A 0-10V	120 120V

NOTES	This fixture is compatible with the TRK-3, 120V, 0-10 dimming, 3-circuit track system.	WEB LINKS: