

DATE:

CUSTOMER:

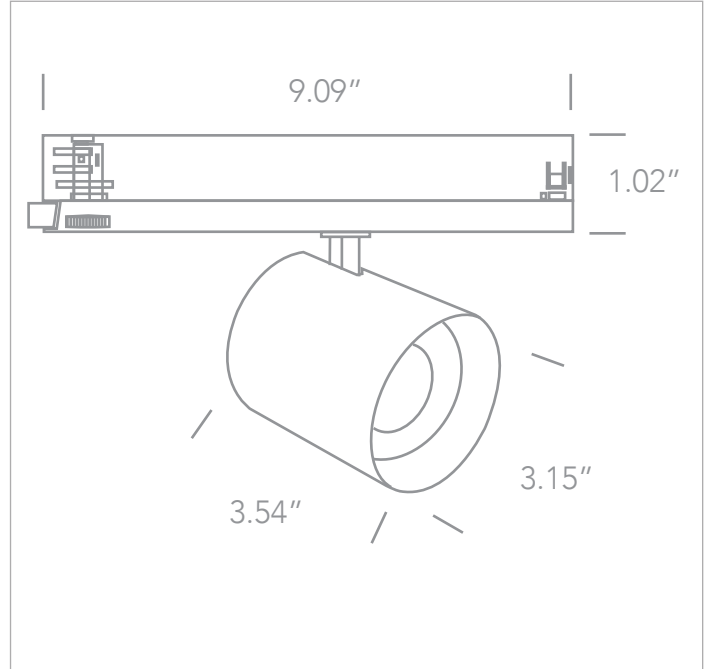
PROJECT:

QUANTITY:

# STUDIO-A *D65660AT*

10W / 15W / 20W COB LED Track Spot for standard 3-phase track

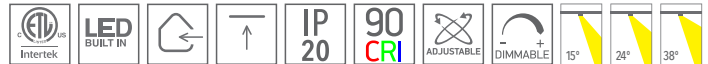
IP20



EXAMPLE:

FAMILY	ITEM#	WATTAGE	LUMENS	CCT	BEAM	FINISH	RING COLOR	DRIVER	INPUT VOLTAGE
STUDIO-A	D65660BT	20W	2400	40	38	B	BS	A	120

3000K CCT = Warm White



FAMILY	ITEM#	WATTAGE	LUMENS	CCT	BEAM	FINISH	RING COLOR	DRIVER	INPUT VOLTAGE						
STUDIO-A	D65660AT	10	10W	1200	1200lm	30	3000K	38	38°	W WHITE B BLACK	W WHITE BS BRASS BH BLACK w/honeycomb	A	0-10V	120	120V
		15	15W	1800	1800lm	40	4000K	15	15°						
		20	20W	2400	2400lm			24	24°						

<b>NOTES</b>	This fixture is compatible with the TRK-3, 120V, 0-10 dimming, 3-circuit track system.	<b>WEB LINKS:</b>