

DATE:

CUSTOMER:

PROJECT:

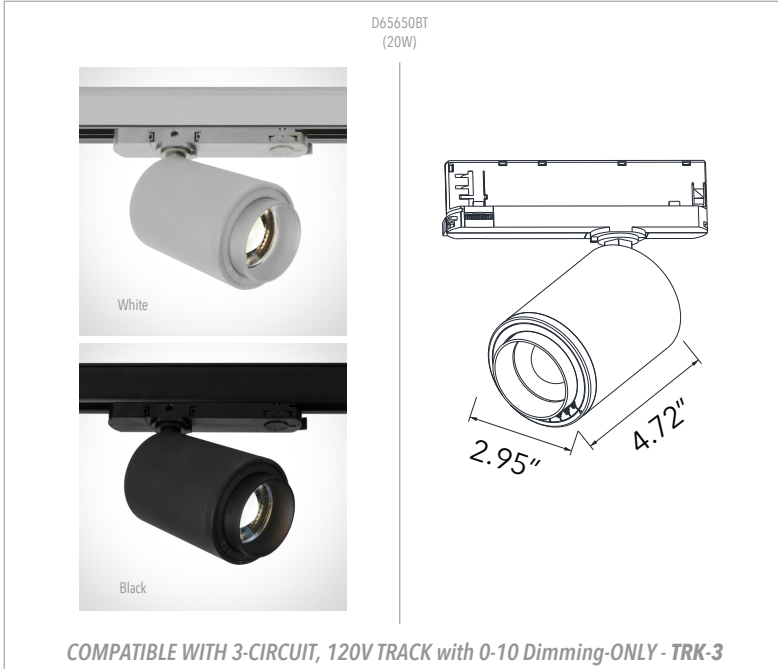
QUANTITY:

**ENN**

*D65650BT, D65650CT*

*20W & 30W COB LED adjustable beam 20° - 60° Track Spot for standard 3-phase track*

**IP20**



EXAMPLE:

FAMILY	ITEM#	WATTAGE	LUMENS	CCT	BEAM	FINISH	DRIVER	INPUT VOLTAGE
ENN	D65650CT	30	3000	30	ADJ	B	A	120



FAMILY	ITEM#	WATTAGE	LUMENS	CCT	BEAM	FINISH	DRIVER	INPUT VOLTAGE
ENN								
	D65650BT	20 20W	2000 2000lm	30 3000K	ADJ 20-60°	B BLACK	A 0-10V	120 120V
	D65650CT	30 30W	3000 3000lm	40 4000K		W WHITE		

**NOTES**

This fixture is compatible with the TRK-3, 120V, 0-10 dimming, 3-circuit track system.

**WEB LINKS:**