

DATE:

CUSTOMER:

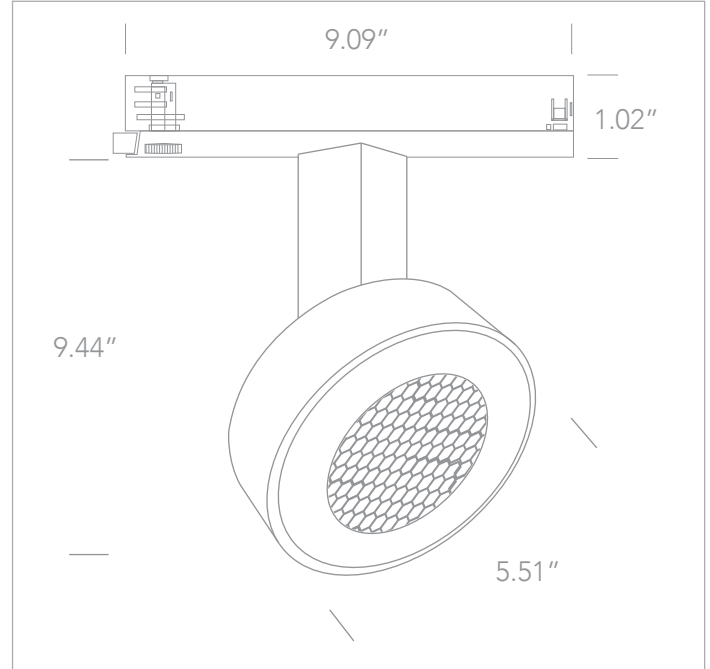
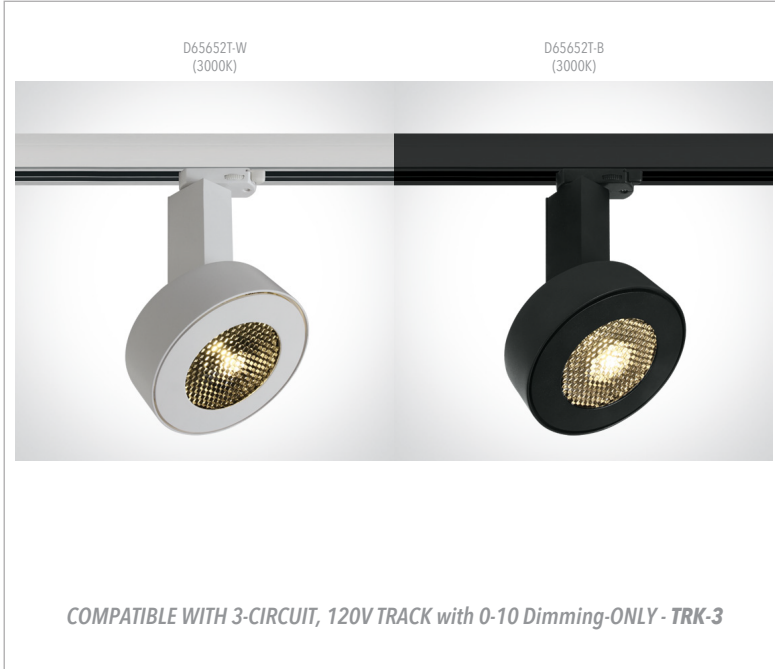
PROJECT:

QUANTITY:

# ETHAN *D65652T*

*30W COB LED Track Spot with honeycomb for standard 3-phase track*

**IP20**



EXAMPLE:

FAMILY	ITEM#	WATTAGE	LUMENS	CCT	BEAM	FINISH	DRIVER	INPUT VOLTAGE
ETHAN	D65652T	30W	1800lm	40	24	B	A	120



FAMILY	ITEM#	WATTAGE	LUMENS	CCT	BEAM	FINISH	DRIVER	INPUT VOLTAGE
ETHAN	D65652T	30 30W	1800 1800lm	30 3000K 40 4000K	24 24°	B W BLACK WHITE	A 0-10V	120 120V

<b>NOTES</b>	This fixture is compatible with the TRK-3, 120V, 0-10 dimming, 3-circuit track system.	<b>WEB LINKS:</b>
--------------	--	-------------------