

DATE:

CUSTOMER:

PROJECT:

QUANTITY:

ORYO *Track-Mounted Adjustable Luminaire*

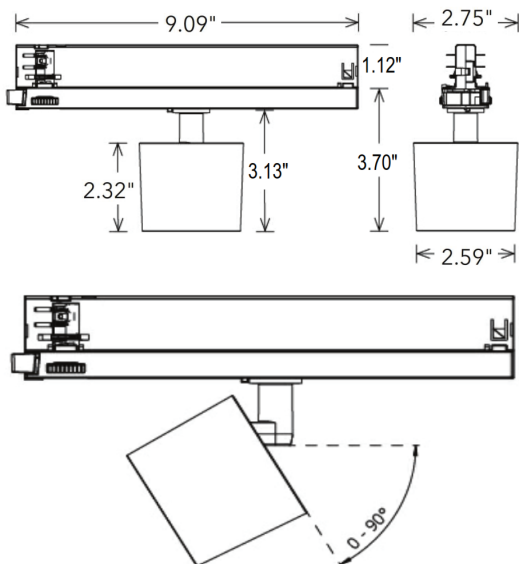


Description

- Flexible filigree track-mounted spotlight w/ slightly conical light head
- Light-head rotates through 355° and pivots through 90° via integrated articulated arm
- Outstanding ease of maintenance
- No UV and thermal emissions
- Anti-glare shield and decorative anti-glare ring available as accessories - Light-head made from die-cast aluminum
- Innovative thermal management w/ design-integrated passive cooling
- High performance specular aluminum reflector w/ precise symmetrical beam characteristic for high luminous efficiency and glare-free lighting
- Black internal thermoplastic front ring
- Clear acrylic safety glass
- Phase track adapter w/ integrated ballast



ORYO		Driver is Universal 0-10V				
FAMILY	PART#	Temp	Degree	Watts/Lumens	Finish	
	L664032	3000K	15°	15.9W/1540lm	Black	
	L664033	3000K	15°	15.9W/1540lm	White	
	L664036	3000K	30°	15.9W/1725lm	Black	
	L664037	3000K	30°	15.9W/1725lm	White	
	L664040	3000K	45°	15.9W/1830lm	Black	
	L664041	3000K	45°	15.9W/1830lm	White	
	L664044	4000K	15°	15.9W/1595lm	Black	
	L664045	4000K	15°	15.9W/1595lm	White	
	L664048	4000K	30°	15.9W/1780lm	Black	
	L664049	4000K	30°	15.9W/1780lm	White	
	L664052	4000K	45°	15.9W/1895lm	Black	
	L664053	4000K	45°	15.9W/1895lm	White	



This fixture is compatible with the **TRK-3**, 120V, 0-10 dimming, 3-circuit track system.