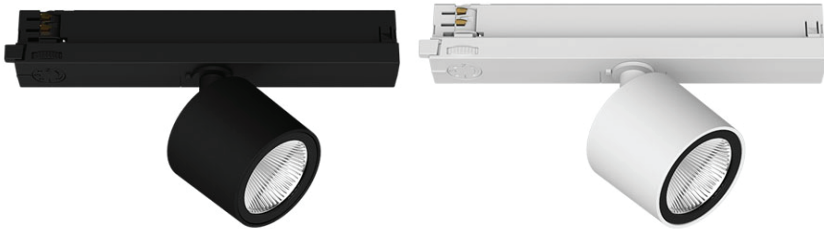




ORYO-T Track-Mounted Adjustable Luminaire



date

customer

project

quantity

Description

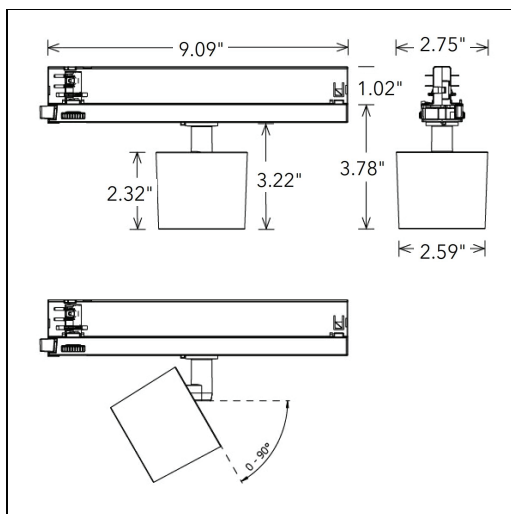
- flexible filigree track-mounted spotlight with slightly conical light head
- light-head rotates through 355° and pivots through 90° via integrated articulated arm
- outstanding ease of maintenance
- no UV and thermal emissions
- anti-glare shield and decorative anti-glare ring available as accessories
- light-head made from die-cast aluminum
- innovative thermal management with design-integrated passive cooling
- high performance specular aluminum reflector with precise symmetrical beam characteristic for high luminous efficiency and glare-free lighting
- black internal thermoplastic front ring
- clear acrylic safety glass
- phase track adapter with integrated ballast



| Family | Model / Wattage | Beam/ Lumens | Color temp | Finish | Driver | CRI | Input voltage |
|--------|-----------------|-------------------|------------|---------|-----------|-----------|----------------|
| ORYO-T | 100 20W | 15 15 deg >1460lm | 30 3000K | B black | N non dim | 90 90 CRI | 120 120V input |
| | | 25 25 deg >1820lm | 40 4000K | | | | |
| | | 45 45 deg >1940lm | | | | | |
| | | | | | | | |

example...

| Family | Model / Wattage | Beam/ Lumens | Color temp | Finish | Driver | CRI | Input voltage |
|--------|-----------------|--------------|------------|--------|--------|-----|---------------|
| ORYO-T | 100 20W | 25 1820lm | 30 | W | N | 90 | 120 |



This fixture is compatible with the **TRK-3**, 120V, 0-10 dimming, 3-circuit track system.