

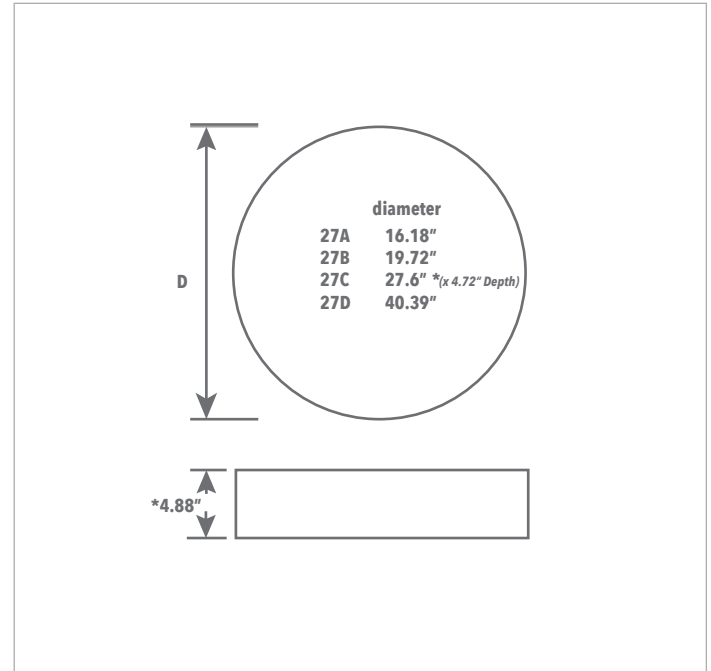
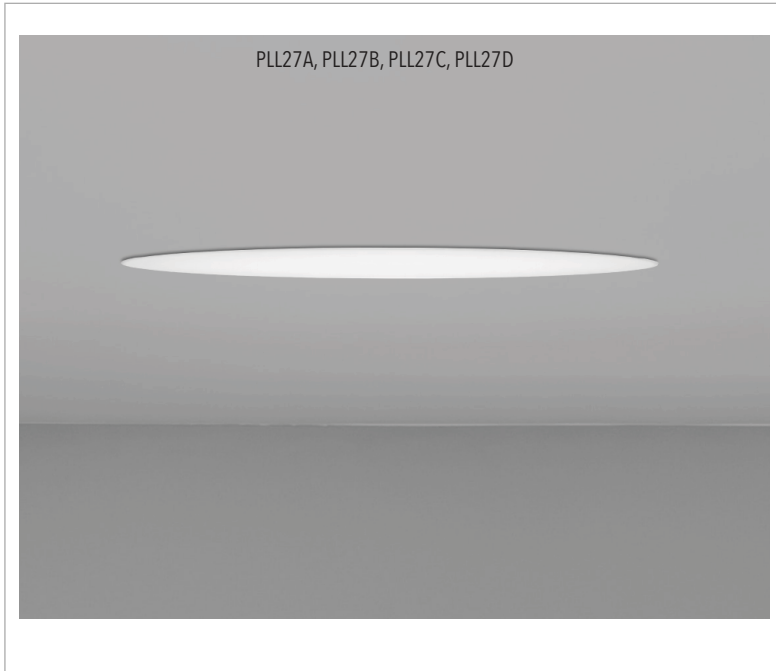
DATE:

CUSTOMER:

PROJECT:

QUANTITY:

PLL27 *Round 22W / 39W / 75W / 164W LED Recessed Light with Trim*



EXAMPLE:

FAMILY	ITEM#	WATTAGE	LUMENS	CCT	FINISH	DIFFUSER	DRIVER	CRI	INPUT VOLTAGE
PLL27	PLL27A	22W	1890lm	30	S	O	N	80	120



FAMILY	ITEM#	WATTAGE	LUMENS	CCT	FINISH	DIFFUSER	DRIVER	CRI	INPUT VOLTAGE	
PLL27										
	PLL27A	22W	1890lm	30	3000K	S Silver	O Opal	N Non-Dim	80 CRI80	120 120V input
	PLL27B	39W	3570lm	40	4000K	W White	P Prismatic	A 0-10V	90 *CRI90	277 277V input
	PLL27C	75W	8030lm				C Consult			
	PLL27D	164W	17640lm							

NOTES	Representative luminary series with clear geometric forms - circular or square - and various sizes of light fields. The memorable design combined with a homogenous light field produces sophisticated and architectural lighting design. The various sizes of luminaires can be combined flexibly as ceiling and pendant luminaires or mounted in bed excavations. To complete the PL series circular wall luminaires are available.	* CRI90 (subject to availability)	WEB LINKS: Product Page
--------------	---	-----------------------------------	-----------------------------------