









Recessed Wall LED





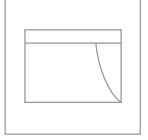



* New Construction Housing Available
Driver Enclosure = 8" x 10" x 6" w/10' Standard Connecting Cable
Installation Depth = 6.5"


D68007 | 1.5W | LED Dark Light Recessed Wall Light







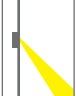


Not dimmable,


FAMILY	ITEM#	WATTAGE	CCT	FINISH	DRIVER	IP RATING	INPUT VOLTAGE
LEEN	D68007	1.5W	3000K	WHITE	0-10V	IP20	120V






Requires 700mA Driver
Remote Driver Enclosure = 6" x 10" x 2"
w/10' Standard Connecting Cable


D68078 | 2W | LED Dark Light | Aluminum Wall Recessed Light








120V Not dimmable,
277V consult for dimming


FAMILY	ITEM#	WATTAGE	LUMENS	CCT	BEAM	FINISH	DRIVER	IP RATING	INPUT VOLTAGE
FERDOW	D68078WW	2W	80lm	3000K	G	WHITE	0-10V	IP20	120V - 277V


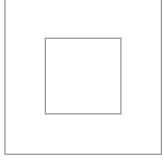


* New Construction Housing Available
Driver Enclosure = 8" x 10" x 6" w/10' Standard Connecting Cable
Installation Depth = 6.5"

D68006 | 1W | LED Dark Light Indoor / Outdoor Recessed Wall Light



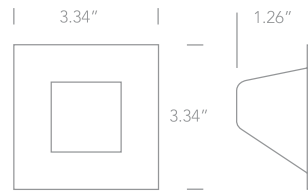
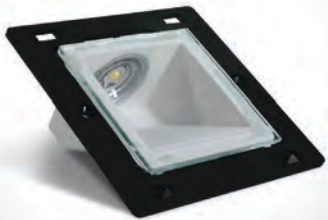
120V Not dimmable,
277V consult for dimming

FAMILY	ITEM#	WATTAGE	CCT	BEAM	FINISH	DRIVER	IP RATING	INPUT VOLTAGE
MURUN	D68006	1W	3000K	G	GREY	0-10V	IP44	120V - 277V



* New Construction Housing Available
 Driver Enclosure = 8" x 10" x 6" w/10' Standard Connecting Cable
 Installation Depth = 6.5"

D68006N | 1W | LED | Dark Light Indoor / Outdoor Recessed Wall Light









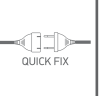
Not dimmable.

FAMILY	ITEM#	WATTAGE	LIGHT COLOR	CCT	BEAM	FINISH	DRIVER	IP RATING	INPUT VOLTAGE
MURUN	D68006NW	1W	Warm White	3000K	G	WHITE	0-10V	IP44	120V - 277V
MURUN	D68006NB	1W	Warm White	3000K	G	BLACK	0-10V	IP44	120V - 277V
MURUN	D68006NG	1W	Warm White	3000K	G	GREY	0-10V	IP44	120V - 277V
MURUN	D68006NBBS	1W	Warm White	3000K	G	BRSHD BRASS	0-10V	IP44	120V - 277V


866.356.4458
solavantilighting.com

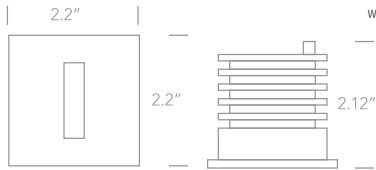




D68004 | 3W | LED Dark Light *Decorative Recessed Wall Light*





Requires 350mA Driver
Remote Driver Enclosure = 6" x 10" x 2"
w/10' Standard Connecting Cable

120V Not dimmable,
277V consult for dimming

FAMILY	ITEM#	WATTAGE	LUMENS	CCT	BEAM	FINISH	DRIVER	IP RATING	INPUT VOLTAGE
BULGA	D68004W	3W	120lm	3000K	24°	WHITE	0-10V	IP54	120V - 277V
BULGA	D68004AL	3W	120lm	3000K	24°	ALUM	0-10V	IP54	120V - 277V











* New Construction Housing Available
Driver Enclosure = 8" x 10" x 6" w/10' Standard Connecting Cable
Installation Depth = 6.5"

D68046 | 2x1W | LED Recessed Wall Light











120V Not dimmable,
277V consult for dimming

FAMILY	ITEM#	WATTAGE	LUMENS	CCT	BEAM	FINISH	DRIVER	IP RATING	INPUT VOLTAGE
ELMER	D68046W	2X1W	140lm	3000K	G	WHITE	0-10V	IP65	120V - 277V
ELMER	D68046AN	2X1W	140lm	3000K	G	ANTHRACITE	0-10V	IP65	120V - 277V
ELMER	D68046G	2X1W	140lm	3000K	G	GREY	0-10V	IP65	120V - 277V









* New Construction Housing Available
Driver Enclosure = 8" x 10" x 6" w/10' Standard Connecting Cable
Installation Depth = 6.5"

D68048 | 4x1W | LED Recessed Wall Light











120V Not dimmable,
277V consult for dimming

FAMILY	ITEM#	WATTAGE	LUMENS	CCT	BEAM	FINISH	DRIVER	IP RATING	INPUT VOLTAGE
ELMER	D68048W	4X1W	280lm	3000K	G	WHITE	0-10V	IP65	120V - 277V
ELMER	D68048AN	4X1W	280lm	3000K	G	ANTHRACITE	0-10V	IP65	120V - 277V
ELMER	D68048G	4X1W	280lm	3000K	G	GREY	0-10V	IP65	120V - 277V









Remote Driver Enclosure = 6" x 10" x 2"
w/10' Standard Connecting Cable

D68050 | 6x1W | LED Recessed Wall Light









Consult for dimming

FAMILY	ITEM#	WATTAGE	LUMENS	CCT	BEAM	FINISH	DRIVER	IP RATING	INPUT VOLTAGE
ELMER	D68050W	6X1W	420lm	3000K	G	WHITE	0-10V	IP65	120V - 277V
ELMER	D68050AN	6X1W	420lm	3000K	G	ANTHRACITE	0-10V	IP65	120V - 277V
ELMER	D68050G	6X1W	420lm	3000K	G	GREY	0-10V	IP65	120V - 277V

Includes 700mA Driver
Remote Driver Enclosure = 6" x 10" x 2"
w/10' Standard Connecting Cable

D68030 | 3W | LED Dark Light Recessed Wall Light

IP54
DARK LIGHT

2.44" 1.77"

120V Not dimmable,
277V consult for dimming

FAMILY	ITEM#	WATTAGE	CCT	BEAM	FINISH	DRIVER	IP RATING	INPUT VOLTAGE
LOREN	D68030W	3W	3000K	G	WHITE	0-10V	IP54	120V - 277V
LOREN	D68030B	3W	3000K	G	BLACK	0-10V	IP54	120V - 277V
LOREN	D68030AL	3W	3000K	G	ALUM	0-10V	IP54	120V - 277V











Remote Driver Enclosure = 6" x 10" x 2"
w/10' Standard Connecting Cable

D68032 | 3W | LED Dark Light Recessed Wall Light
















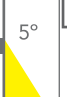


Consult for dimming

FAMILY	ITEM#	WATTAGE	CCT	BEAM	FINISH	DRIVER	IP RATING	INPUT VOLTAGE
LOREN	D68032G	3W	3000K	G	GREY	0-10V	IP54	120V-277V
LOREN	D68032B	3W	3000K	G	BLACK	0-10V	IP54	120V-277V
LOREN	D68032AL	3W	3000K	G	ALUM	0-10V	IP54	120V-277V














Remote Driver Enclosure = 6" x 10" x 2"
w/10' Standard Connecting Cable

D68044 | 3W | LED Dark Light Recessed Wall Light







120V Not dimmable,
277V consult for dimming

FAMILY	ITEM#	WATTAGE	LUMENS	CCT	BEAM	FINISH	DRIVER	IP RATING	INPUT VOLTAGE
ROBB	D68044	3W	160lm	3000K	5°	WHITE	0-10V	IP65	120V - 277V



D68072A | 5W | LED Recessed Wall Light

IP65

4.72"

1.89"

2.63"

Includes 350mA Remote Driver
Driver Enclosure = 6" x 10" x 2"
w/10' Standard Connecting Cable

Consult for dimming

FAMILY	ITEM#	WATTAGE	LUMENS	CCT	BEAM	FINISH	DRIVER	IP RATING	INPUT VOLTAGE
FERDOW	D68072A	5W	100lm	3000K	G	316 STNLS STEEL	0-10V	IP65	120V - 277V

D68072B | 7W | LED Recessed Wall Light

IP65

7.68"

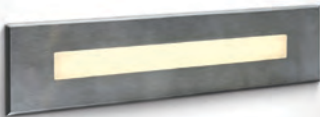
2.48"








2.63"

Includes 350mA Remote Driver
Driver Enclosure = 6" x 10" x 2"
w/10' Standard Connecting Cable

Consult for dimming


FAMILY	ITEM#	WATTAGE	LUMENS	CCT	BEAM	FINISH	DRIVER	IP RATING	INPUT VOLTAGE
FERDOW	D68072B	7W	140lm	3000K	G	316 STNLS STEEL	0-10V	IP65	120V - 277V



D68072C | 10W | LED Recessed Wall Light

Includes 350mA Remote Driver
Driver Enclosure = 6" x 10" x 2"
w/10' Standard Connecting Cable



Consult for dimming

FAMILY	ITEM#	WATTAGE	LUMENS	CCT	BEAM	FINISH	DRIVER	IP RATING	INPUT VOLTAGE
FERDOW	D68072C	10W	200lm	3000K	G	316 STNLS STEEL	0-10V	IP65	120V-277V










D68068 | 3W | LED Dark Light Recessed Wall Light

Includes 350mA Remote Driver
Driver Enclosure = 6" x 10" x 2"
w/10' Standard Connecting Cable

120V Not dimmable,
277V consult for dimming



FAMILY	ITEM#	WATTAGE	LUMENS	CCT	BEAM	FINISH	DRIVER	IP RATING	INPUT VOLTAGE
YAZ	D68068W	3W	290lm	3000K	G	WHITE	0-10V	IP65	120V - 277V
YAZ	D68068AN	3W	290lm	3000K	G	ANTHRACITE	0-10V	IP65	120V - 277V
YAZ	D68068G	3W	290lm	3000K	G	GREY	0-10V	IP65	120V - 277V










D68068C | 6W | LED Dark Light Recessed Wall Light

Includes 350mA Remote Driver
Driver Enclosure = 6" x 10" x 2"
w/10' Standard Connecting Cable

Consult for dimming



FAMILY	ITEM#	WATTAGE	LUMENS	CCT	BEAM	FINISH	DRIVER	IP RATING	INPUT VOLTAGE
YAZ	D68068CW	6W	540lm	3000K	G	WHITE	0-10V	IP65	120V - 277V
YAZ	D68068CAN	6W	540lm	3000K	G	ANTHRACITE	0-10V	IP65	120V - 277V
YAZ	D68068CB	6W	540lm	3000K	G	BLACK	0-10V	IP65	120V - 277V
YAZ	D68068CG	6W	540lm	3000K	G	GREY	0-10V	IP65	120V - 277V










Remote Driver
Driver Enclosure = 6" x 10" x 2"
w/10' Standard Connecting Cable

120V Not dimmable,
277V consult for dimming

D68068A | 3W | LED Dark Light Recessed Wall Light

FAMILY	ITEM#	WATTAGE	LUMENS	CCT	BEAM	FINISH	DRIVER	IP RATING	INPUT VOLTAGE
YAZ	D68068AW	3W	290lm	3000K	G	WHITE	0-10V	IP65	120V - 277V
YAZ	D68068AAN	3W	290lm	3000K	G	ANTHRACITE	0-10V	IP65	120V - 277V
YAZ	D68068AB	3W	290lm	3000K	G	BLACK	0-10V	IP65	120V - 277V
YAZ	D68068AG	3W	290lm	3000K	G	GREY	0-10V	IP65	120V - 277V










Remote Driver
Driver Enclosure = 6" x 10" x 2"
w/10' Standard Connecting Cable

120V Not dimmable,
277V consult for dimming

D68062 | 3.6W | LED Dark Light Recessed Wall Light

FAMILY	ITEM#	WATTAGE	LUMENS	CCT	BEAM	FINISH	DRIVER	IP RATING	INPUT VOLTAGE
KAHN	D68062W	3.6W	45lm	3000K	53°	WHITE	0-10V	IP65	120V - 277V
KAHN	D68062AN	3.6W	45lm	3000K	53°	ANTHRACITE	0-10V	IP65	120V - 277V
KAHN	D68062G	3.6W	45lm	3000K	53°	GREY	0-10V	IP65	120V - 277V










Remote Driver
Driver Enclosure = 6" x 10" x 2"
w/10' Standard Connecting Cable

120V Not dimmable,
277V consult for dimming

D68064 | 3.6W | LED Dark Light Recessed Wall Light






FAMILY	ITEM#	WATTAGE	LUMENS	CCT	BEAM	FINISH	DRIVER	IP RATING	INPUT VOLTAGE
KAHN	D68064W	3.6W	45lm	3000K	44°	WHITE	0-10V	IP65	120V - 277V
KAHN	D68064AN	3.6W	45lm	3000K	44°	ANTHRACITE	0-10V	IP65	120V - 277V
KAHN	D68064G	3.6W	45lm	3000K	44°	GREY	0-10V	IP65	120V - 277V










Remote Driver
Driver Enclosure = 6" x 10" x 2"
w/10' Standard Connecting Cable

Consult for dimming

D68066 | 8.5W | LED Dark Light Recessed Wall Light






FAMILY	ITEM#	WATTAGE	LUMENS	CCT	BEAM	FINISH	DRIVER	IP RATING	INPUT VOLTAGE
KAHN	D68066W	8.5W	160lm	3000K	G	WHITE	0-10V	IP65	120V - 277V
KAHN	D68066AN	8.5W	160lm	3000K	G	ANTHRACITE	0-10V	IP65	120V - 277V
KAHN	D68066G	8.5W	160lm	3000K	G	GREY	0-10V	IP65	120V - 277V









Remote Driver
Driver Enclosure = 6" x 10" x 2"
w/10' Standard Connecting Cable

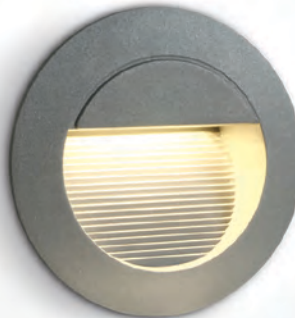
120V Not dimmable,
277V consult for dimming





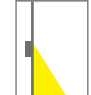
D68016 | 2W | LED Dark Light Recessed Wall






FAMILY	ITEM#	WATTAGE	CCT	BEAM	FINISH	DRIVER	IP RATING	INPUT VOLTAGE
DANIEL	D68016B	2W	3000K	G	BLACK	0-10V	IP54	120V - 277V
DANIEL	D68016G	2W	3000K	G	GREY	0-10V	IP54	120V - 277V

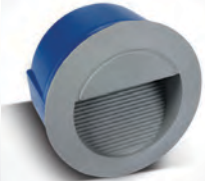









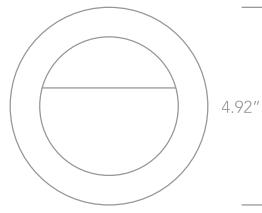
Remote Driver
Driver Enclosure = 6" x 10" x 2"
w/10' Standard Connecting Cable

120V Not dimmable,

D68022 | 1.4W | LED Dark Light Recessed Wall Light










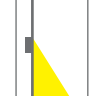


4.92"

FAMILY	ITEM#	WATTAGE	CCT	BEAM	FINISH	DRIVER	IP RATING	INPUT VOLTAGE
DANIEL	D68022	1.4W	3000K	G	GREY	0-10V	IP54	120V














Remote Driver
Driver Enclosure = 6" x 10" x 2"
w/10' Standard Connecting Cable

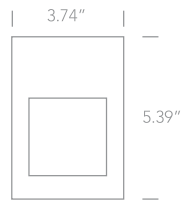
120V Not dimmable,

D68012 | 1.5W | LED Dark Light Recessed Wall Light









3.74"
5.39"

FAMILY	ITEM#	WATTAGE	CCT	BEAM	FINISH	DRIVER	IP RATING	INPUT VOLTAGE
DANIEL	D68012G	1.5W	3000K or 6000K	G	GREY	0-10V	IP54	120V
DANIEL	D68012B	1.5W	3000K	G	BLACK	0-10V	IP54	120V