



Wall Surface LED














D67138F | 6W | COB LED Cylinder




Each fixture includes a 4.5\" data-bbox="765 465 930 505"/>

Color will match fixture.

Consult for dimming

| FAMILY | ITEM# | WATTAGE | LUMENS | CCT | BEAM | FINISH | DRIVER | IP RATING | INPUT VOLTAGE |
|--------|-----------|---------|--------|-------|------|------------|--------|-----------|---------------|
| LINO | D67138FW | 6W | 440lm | 3000K | 35° | WHITE | 0-10V | IP54 | 120V - 277V |
| LINO | D67138FAN | 6W | 440lm | 3000K | 35° | ANTHRACITE | 0-10V | IP54 | 120V - 277V |
| LINO | D67138FB | 6W | 440lm | 3000K | 35° | BLACK | 0-10V | IP54 | 120V - 277V |
| LINO | D67138FG | 6W | 440lm | 3000K | 35° | GREY | 0-10V | IP54 | 120V - 277V |










D67138E | 6W | COB LED Cylinder





Each fixture includes a 4.5\" data-bbox="765 755 930 795"/>




Color will match fixture.

Consult for dimming

| FAMILY | ITEM# | WATTAGE | LUMENS | CCT | BEAM | FINISH | DRIVER | IP RATING | INPUT VOLTAGE |
|--------|-----------|---------|--------|-------|------|------------|--------|-----------|---------------|
| LINO | D67138EW | 6W | 440lm | 3000K | 35° | WHITE | 0-10V | IP54 | 120V - 277V |
| LINO | D67138EAN | 6W | 440lm | 3000K | 35° | ANTHRACITE | 0-10V | IP54 | 120V - 277V |
| LINO | D67138EB | 6W | 440lm | 3000K | 35° | BLACK | 0-10V | IP54 | 120V - 277V |
| LINO | D67138EG | 6W | 440lm | 3000K | 35° | GREY | 0-10V | IP54 | 120V - 277V |





D67138A | 2 X 6W | LED Indoor/Outdoor Wall Cube






Each fixture includes a 4.5" x 4.5" square mounting plate for attaching to a standard 3" octagonal junction box. Color will match fixture.

Consult for dimming

| FAMILY | ITEM# | WATTAGE | LUMENS | CCT | BEAM | FINISH | DRIVER | IP RATING | INPUT VOLTAGE |
|--------|-----------|---------|---------|-------|------|--------|--------|-----------|---------------|
| PARK | D67138AW | 2X6W | 2X440lm | 3000K | 35° | WHITE | 0-10V | IP54 | 120V - 277V |
| PARK | D67138AAN | 2X6W | 2X440lm | 3000K | 35° | WHITE | 0-10V | IP54 | 120V - 277V |
| PARK | D67138AB | 2X6W | 2X440lm | 3000K | 35° | WHITE | 0-10V | IP54 | 120V - 277V |
| PARK | D67138AG | 2X6W | 2X440lm | 3000K | 35° | WHITE | 0-10V | IP54 | 120V - 277V |










D67138 | 2 X 6W | COB LED Slim Floodlight












Each fixture includes a 4.5" x 4.5" square mounting plate for attaching to a standard 3" octagonal junction box. Color will match fixture.



Consult for dimming

| FAMILY | ITEM# | WATTAGE | LUMENS | CCT | BEAM | FINISH | DRIVER | IP RATING | INPUT VOLTAGE |
|--------|----------|---------|---------|-------|------|------------|--------|-----------|---------------|
| PARK | D67138W | 2X6W | 2X440lm | 3000K | 35° | WHITE | 0-10V | IP54 | 120V-277V |
| PARK | D67138AN | 2X6W | 2X440lm | 3000K | 35° | ANTHRACITE | 0-10V | IP54 | 120V-277V |
| PARK | D67138B | 2X6W | 2X440lm | 3000K | 35° | BLACK | 0-10V | IP54 | 120V-277V |
| PARK | D67138G | 2X6W | 2X440lm | 3000K | 35° | GREY | 0-10V | IP54 | 120V-277V |

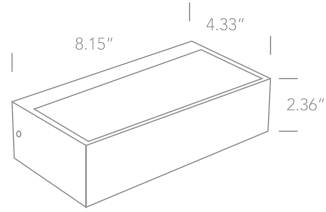


D67362C | 9W | LED Wall Light







IP54





Each fixture includes a 4.5" x 10.25" rectangular mounting plate for attaching to a standard 3" octagonal junction box. Color will match fixture.
Consult for dimming

| FAMILY | ITEM# | WATTAGE | LUMENS | CCT | BEAM | FINISH | DRIVER | IP RATING | INPUT VOLTAGE |
|--------|-----------|---------|---------|-------|------|------------|--------|-----------|---------------|
| ATHIRA | D67362CW | 9W | 2X315lm | 3000K | G | WHITE | 0-10V | IP54 | 120V - 277V |
| ATHIRA | D67362CAN | 9W | 2X315lm | 3000K | G | ANTHRACITE | 0-10V | IP54 | 120V - 277V |

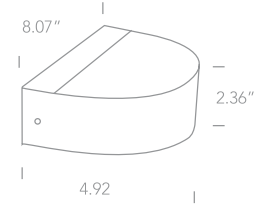


D67362B | 9W | LED Wall Light






IP54



Each fixture includes a 4.5" x 10.25" rectangular mounting plate for attaching to a standard 3" octagonal junction box. Color will match fixture.
Consult for dimming




| FAMILY | ITEM# | WATTAGE | LUMENS | CCT | BEAM | FINISH | DRIVER | IP RATING | INPUT VOLTAGE |
|--------|-----------|---------|--------|-------|------|------------|--------|-----------|---------------|
| ATHIRA | D67362BW | 9W | 600lm | 3000K | G | WHITE | 0-10V | IP54 | 120V - 277V |
| ATHIRA | D67362BAN | 9W | 600lm | 3000K | G | ANTHRACITE | 0-10V | IP54 | 120V - 277V |






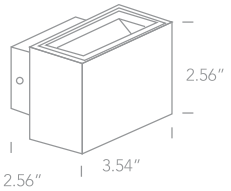
**LED
BUILT IN**

**80
CRI**

D67374 | 2 X 3W | LED Indoor/ Outdoor Up & Down Beam Wall Light


IP54





Each fixture includes a 4.5" x 4.5" square mounting plate for attaching to a standard 3" octagonal junction box. Color will match fixture.

Consult for dimming




| FAMILY | ITEM# | WATTAGE | LUMENS | CCT | BEAM | FINISH | DRIVER | IP RATING | INPUT VOLTAGE |
|--------|----------|---------|---------|-------|------|------------|--------|-----------|---------------|
| NEA | D67374W | 2X3W | 2X210lm | 3000K | G | WHITE | 0-10V | IP54 | 120V - 277V |
| NEA | D67374AN | 2X3W | 2X210lm | 3000K | G | ANTHRACITE | 0-10V | IP54 | 120V - 277V |






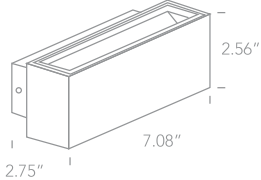
**LED
BUILT IN**

**80
CRI**

D67374A | 2 X 6W | LED Indoor/Outdoor Up & Down Beam Wall Light


IP54





Each fixture includes a 4.5" x 10.25" square mounting plate for attaching to a standard 3" octagonal junction box. Color will match fixture.

Consult for dimming




| FAMILY | ITEM# | WATTAGE | LUMENS | CCT | BEAM | FINISH | DRIVER | IP RATING | INPUT VOLTAGE |
|--------|-----------|---------|---------|-------|------|------------|--------|-----------|---------------|
| NEA | D67374AW | 2X6W | 2X420lm | 3000K | G | WHITE | 0-10V | IP54 | 120V - 277V |
| NEA | D67374AAN | 2X6W | 2X420lm | 3000K | G | ANTHRACITE | 0-10V | IP54 | 120V - 277V |





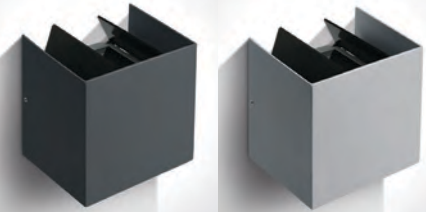
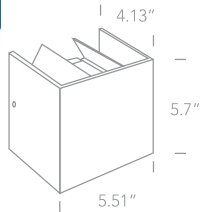
**LED
BUILT IN**

**80
CRI**


D67340A | 2 X 3W | LED Indoor/Outdoor Up & Down Adjustable Beam Wall Light


IP54

Consult for dimming


| FAMILY | ITEM# | WATTAGE | LUMENS | CCT | BEAM | FINISH | DRIVER | IP RATING | INPUT VOLTAGE |
|--------|-----------|---------|---------|-------|------|------------|--------|-----------|---------------|
| PANARO | D67340AW | 2X3W | 2X210lm | 3000K | G | WHITE | 0-10V | IP54 | 120V - 277V |
| PANARO | D67340AAN | 2X3W | 2X210lm | 3000K | G | ANTHRACITE | 0-10V | IP54 | 120V - 277V |
| PANARO | D67340AB | 2X3W | 2X210lm | 3000K | G | BLACK | 0-10V | IP54 | 120V - 277V |




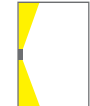


LED
BUILT IN


80
CRI




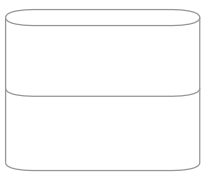




D67376 | 2X3W | LED Indoor/Outdoor Slim-Range Up & Down Beam








4.52"

3.54"





1.1"

Each fixture includes a 4.5" square mounting plate for attaching to a standard 3" octagonal junction box. Color will match fixture.

Consult for dimming


| FAMILY | ITEM# | WATTAGE | LUMENS | CCT | BEAM | FINISH | DRIVER | IP RATING | INPUT VOLTAGE |
|--------|----------|---------|---------|-------|------|------------|--------|-----------|---------------|
| KOTZA | D67376W | 2X3W | 2X210lm | 3000K | G | WHITE | 0-10V | IP54 | 120V - 277V |
| KOTZA | D67376AN | 2X3W | 2X210lm | 3000K | G | ANTHRACITE | 0-10V | IP54 | 120V - 277V |

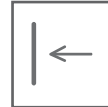


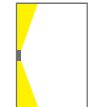


LED
BUILT IN


80
CRI




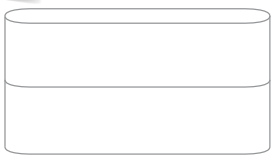




D67376A | 2X6W | LED Indoor/Outdoor Slim-Range Up & Down Beam








6.89"

3.54"



1.1"

Each fixture includes a 4.5" x 10.25" rectangular mounting plate for attaching to a standard 3" octagonal junction box. Color will match fixture.

Consult for dimming

| FAMILY | ITEM# | WATTAGE | LUMENS | CCT | BEAM | FINISH | DRIVER | IP RATING | INPUT VOLTAGE |
|--------|-----------|---------|---------|-------|------|------------|--------|-----------|---------------|
| KOTZA | D67376AW | 2X6W | 2X420lm | 3000K | G | WHITE | 0-10V | IP54 | 120V - 277V |
| KOTZA | D67376AAN | 2X6W | 2X420lm | 3000K | G | ANTHRACITE | 0-10V | IP54 | 120V - 277V |





LED
BUILT IN

80
CRI







D67378 | 2X3W | LED Indoor/Outdoor Slim-Range Up & Down Beam







5.5"

3.46"



1.77"

Each fixture includes a 4.5" x 6.5" rectangular mounting plate for attaching to a standard 3" octagonal junction box. Color will match fixture.

Consult for dimming

| FAMILY | ITEM# | WATTAGE | LUMENS | CCT | BEAM | FINISH | DRIVER | IP RATING | INPUT VOLTAGE |
|--------|----------|---------|---------|-------|------|------------|--------|-----------|---------------|
| KOTZA | D67378W | 2X3W | 2X210lm | 3000K | G | WHITE | 0-10V | IP54 | 120V - 277V |
| KOTZA | D67378AN | 2X3W | 2X210lm | 3000K | G | ANTHRACITE | 0-10V | IP54 | 120V - 277V |












D67378A | 2X6W | LED Indoor/Outdoor Slim-Range Up & Down Beam







IP54

Each fixture includes a 4.5" x 10.25" rectangular mounting plate for attaching to a standard 3" octagonal junction box. Color will match fixture.


Consult for dimming

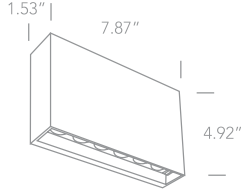
| FAMILY | ITEM# | WATTAGE | LUMENS | CCT | BEAM | FINISH | DRIVER | IP RATING | INPUT VOLTAGE |
|--------|-----------|---------|---------|-------|------|------------|--------|-----------|---------------|
| KOTZA | D67378AW | 2X6W | 2X420lm | 3000K | G | WHITE | 0-10V | IP54 | 120V - 277V |
| KOTZA | D67378AAN | 2X6W | 2X420lm | 3000K | G | ANTHRACITE | 0-10V | IP54 | 120V - 277V |



D67472 | 2 x 6W | SMD LED | *Up & Down Wall Light*












Each fixture includes a 4.5" x 10.5" mounting plate for attaching to a standard 3" octagonal junction box. Color will match fixture.


Consult for dimming

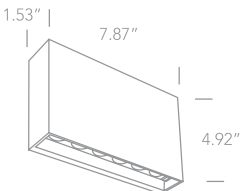
| FAMILY | ITEM# | WATTAGE | LUMENS | CCT | BEAM | FINISH | DRIVER | IP RATING | INPUT VOLTAGE |
|---------|-----------|---------|---------|-------|------|------------|--------|-----------|---------------|
| KOTZA65 | D67472ANW | 2x6W | 2x500lm | 3000K | G | ANTHRACITE | 0-10V | IP65 | 120V - 277V |



D67472A | 6W | SMD LED | *Down Wall Light*

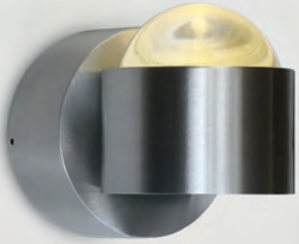





Each fixture includes a 4.5" x 10.5" mounting plate for attaching to a standard 3" octagonal junction box. Color will match fixture.




Consult for dimming

| FAMILY | ITEM# | WATTAGE | LUMENS | CCT | BEAM | FINISH | DRIVER | IP RATING | INPUT VOLTAGE |
|---------|------------|---------|--------|-------|------|------------|--------|-----------|---------------|
| KOTZA65 | D67472AANW | 6W | 500lm | 3000K | G | ANTHRACITE | 0-10V | IP65 | 120V - 277V |






LED BUILT IN

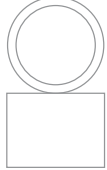
D67274 | 4W | LED Outdoor Wall Lines

IP54

3.54"




2.36"




Each fixture includes a 5" round mounting plate for attaching to a standard 3" octagonal junction box. Color will match fixture.



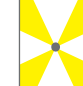
120V Not dimmable, 277V consult for dimming

| FAMILY | ITEM# | WATTAGE | LUMENS | CCT | BEAM | FINISH | DRIVER | IP RATING | INPUT VOLTAGE |
|--------|--------|---------|--------|-------|------|----------|--------|-----------|---------------|
| JOANN | D67274 | 4W | 150lm | 3000K | G | NAT ALUM | 0-10V | IP54 | 120V - 277V |





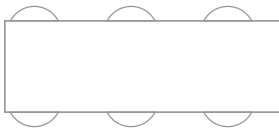
LED BUILT IN

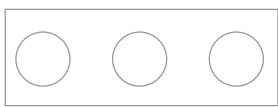
D67274C | 6 X 1W | LED Outdoor Wall Lines

IP54

6.69"



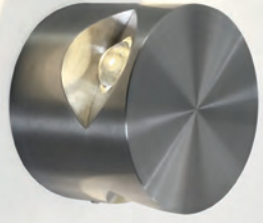
2.95"




Each fixture includes a 4.5" x 10.25" rectangular mounting plate for attaching to a standard 3" octagonal junction box. Color will match fixture.



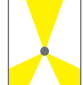
Consult for dimming

| FAMILY | ITEM# | WATTAGE | LUMENS | CCT | BEAM | FINISH | DRIVER | IP RATING | INPUT VOLTAGE |
|--------|---------|---------|--------|-------|------|----------|--------|-----------|---------------|
| JOANN | D67274C | 6X1W | 200lm | 3000K | G | NAT ALUM | 0-10V | IP54 | 120V - 277V |






LED BUILT IN


D67298 | 3 X 3W | LED Outdoor Wall Lines

IP54

3.15"



2.36"



Each fixture includes a 5" round mounting plate for attaching to a standard 3" octagonal junction box. Color will match fixture.

Consult for dimming

| FAMILY | ITEM# | WATTAGE | LUMENS | CCT | BEAM | FINISH | DRIVER | IP RATING | INPUT VOLTAGE |
|--------|--------|---------|--------|-------|------|----------|--------|-----------|---------------|
| DENROE | D67298 | 3X3W | 450lm | 3000K | G | NAT ALUM | 0-10V | IP54 | 120V - 277V |



**LED
BUILT IN**


**80
CRI**






D65107 | 7W | COB LED Adjustable Wall / Ceiling Downlight

Each fixture includes a 4.5" x 6.5" square mounting plate for attaching to a standard 3" octagonal junction box. Color will match fixture.

Consult for dimming

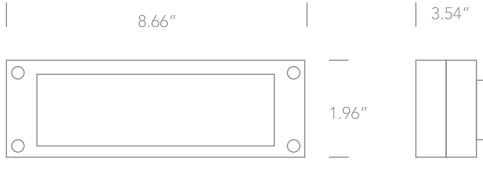
| FAMILY | ITEM# | WATTAGE | LUMENS | CCT | BEAM | FINISH | DRIVER | IP RATING | INPUT VOLTAGE |
|--------|--------|---------|--------|-------|------|--------|--------|-----------|---------------|
| PETRO | D65107 | 7W | 594lm | 3000K | 35° | WHITE | 0-10V | IP20 | 120V - 277V |



D67176 | 3W | LED Wall Light

IP54








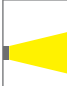
Each fixture includes a 4.5" x 10.25" rectangular mounting plate for attaching to a standard 3" octagonal junction box. Color will match fixture.

120V Not dimmable, 277V consult for dimming

| FAMILY | ITEM# | WATTAGE | LUMENS | CCT | BEAM | FINISH | DRIVER | IP RATING | INPUT VOLTAGE |
|--------|---------|---------|--------|-------|------|--------|--------|-----------|---------------|
| ARRE | D67176W | 3W | N/A | 3000K | G | WHITE | 0-10V | IP54 | 120V - 277V |
| ARRE | D67176G | 3W | N/A | 3000K | G | GREY | 0-10V | IP54 | 120V - 277V |

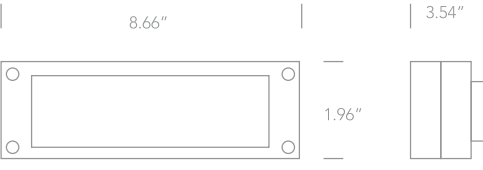




D67174 | 3W | LED Wall Light

IP54








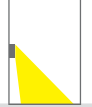
Each fixture includes a 4.5" x 10.25" rectangular mounting plate for attaching to a standard 3" octagonal junction box. Color will match fixture.

120V Not dimmable, 277V consult for dimming

| FAMILY | ITEM# | WATTAGE | LUMENS | CCT | BEAM | FINISH | DRIVER | IP RATING | INPUT VOLTAGE |
|--------|---------|---------|--------|-------|------|--------|--------|-----------|---------------|
| ARRE | D67174W | 3W | N/A | 3000K | G | WHITE | 0-10V | IP54 | 120V - 277V |
| ARRE | D67174G | 3W | N/A | 3000K | G | GREY | 0-10V | IP54 | 120V - 277V |

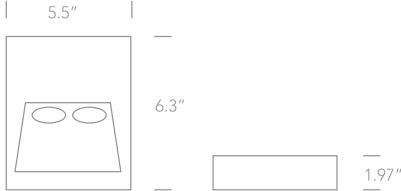





D67304 | 2X1W | LED Wall Light

IP54




120V Not dimmable,
277V consult for dimming

| FAMILY | ITEM# | WATTAGE | LUMENS | CCT | BEAM | FINISH | DRIVER | IP RATING | INPUT VOLTAGE |
|--------|--------|---------|--------|-------|------|--------|--------|-----------|---------------|
| EBB | D67304 | 2X1W | N/A | 3000K | G | WHITE | 0-10V | IP54 | 120V - 277V |








D67360 | 9W | LED Dark Light Indoor / Outdoor Wall Light







8.35"
1.4"

Consult for dimming

| FAMILY | ITEM# | WATTAGE | LUMENS | CCT | BEAM | FINISH | DRIVER | IP RATING | INPUT VOLTAGE |
|--------|----------|---------|--------|-------|------|------------|--------|-----------|---------------|
| URIA | D67360W | 9W | 350lm | 3000K | G | WHITE | 0-10V | IP54 | 120V - 277V |
| URIA | D67360AN | 9W | 350lm | 3000K | G | ANTHRACITE | 0-10V | IP54 | 120V - 277V |












D67360A | 9W | LED Dark Light Outdoor Wall Light







8.35" x 8.35"
1.4"

Consult for dimming

| FAMILY | ITEM# | WATTAGE | LUMENS | CCT | BEAM | FINISH | DRIVER | IP RATING | INPUT VOLTAGE |
|--------|-----------|---------|--------|-------|------|------------|--------|-----------|---------------|
| URIA | D67360AW | 9W | 350lm | 3000K | G | WHITE | 0-10V | IP54 | 120V - 277V |
| URIA | D67360AAN | 9W | 350lm | 3000K | G | ANTHRACITE | 0-10V | IP54 | 120V - 277V |




D67354 | 2X3W | LED Wall Light


IP54

Each fixture includes a 4.5" x 4.5" square mounting plate for attaching to a standard 3" octagonal junction box. Color will match fixture.

Consult for dimming




| FAMILY | ITEM# | WATTAGE | LUMENS | CCT | BEAM | FINISH | DRIVER | IP RATING | INPUT VOLTAGE |
|--------|--------|---------|--------|-------|------|--------|--------|-----------|---------------|
| ALBINA | D67354 | 2X3W | 182lm | 3000K | G | GREY | 0-10V | IP54 | 120V - 277V |





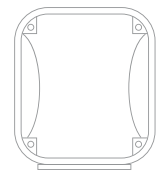
LED BUILT IN

70 CRI

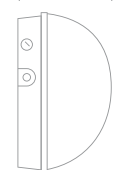
D7056 | 50W | LED Wall Light

IP65



10.35"


12"




7.08"

0-10V dimming option, available for 277V



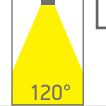
| FAMILY | ITEM# | WATTAGE | LUMENS | CCT | BEAM | FINISH | DRIVER | IP RATING | INPUT VOLTAGE |
|--------|-------|---------|--------|-------|------|--------|--------|-----------|---------------|
| FINN | D7056 | 50W | 4000lm | 4000K | 120° | BLACK | 0-10V | IP65 | 120V - 277V |



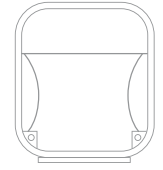
LED BUILT IN

70 CRI


D7056A | 50W | LED Industrial Wall Light With COB

IP65



10.23"


11.8"




4.52"

0-10V dimming option, available for 277V


| FAMILY | ITEM# | WATTAGE | LUMENS | CCT | BEAM | FINISH | DRIVER | IP RATING | INPUT VOLTAGE |
|--------|--------|---------|--------|-------|------|--------|--------|-----------|---------------|
| FINN | D7056A | 50W | 4000lm | 4000K | 120° | BLACK | 0-10V | IP65 | 120V-277V |




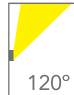


**LED
BUILT IN**

**70
CRI**








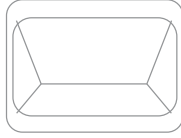
120°

D7056B | 2X30W | COB LED *Industrial Wall Light*

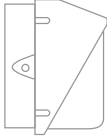


| 14.17" |

| 7.16" |



9.25"



0-10V dimming option, available for 277V

| FAMILY | ITEM# | WATTAGE | LUMENS | CCT | BEAM | FINISH | DRIVER | IP RATING | INPUT VOLTAGE |
|--------|--------|---------|--------|-------|------|--------|--------|-----------|---------------|
| FINN | D7056B | 2X30W | 4800lm | 4000K | 120° | BLACK | 0-10V | IP65 | 120V-277V |

