





Ceiling Pendant LED



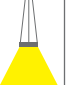






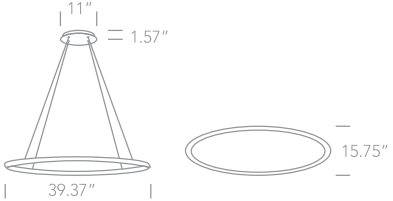
LED BUILT IN

80 CRI

D63046 | 25W | LED Ceiling Pendant


IP20




Each fixture includes a 5" round mounting plate for attaching to a standard 3" octagonal junction box. Color will match fixture.

0-10V dimming option, available for 277V



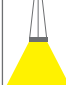
FAMILY	ITEM#	WATTAGE	LUMENS	CCT	BEAM	FINISH	DRIVER	IP RATING	INPUT VOLTAGE
RINGPEND25	D63046	25W	1540lm	3000K	G	WHITE	0-10V	IP20	120V-277V





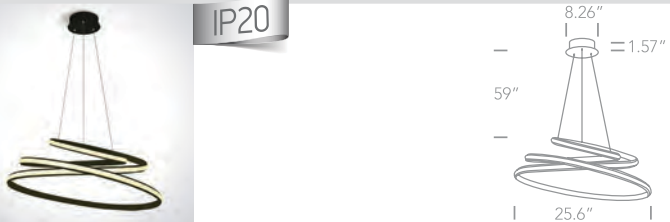
LED BUILT IN

80 CRI

D63046A | 45W | LED Ceiling Pendant


IP20




Each fixture includes a 5" round mounting plate for attaching to a standard 3" octagonal junction box. Color will match fixture.

0-10V dimming option, available for 277V



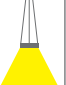
FAMILY	ITEM#	WATTAGE	LUMENS	CCT	BEAM	FINISH	DRIVER	IP RATING	INPUT VOLTAGE
RINGPEND45	D67362AW	45W	2700lm	3000K	G	WHITE	0-10V	IP20	120V-277V
RINGPEND45	D67362AB	45W	2700lm	3000K	G	BLACK	0-10V	IP20	120V-277V





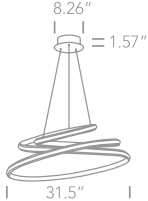
LED BUILT IN

80 CRI

D63046B | 50W | LED Ceiling Pendant

IP20









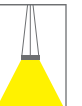
Each fixture includes a 5" round mounting plate for attaching to a standard 3" octagonal junction box. Color will match fixture.

0-10V dimming option, available for 277V

FAMILY	ITEM#	WATTAGE	LUMENS	CCT	BEAM	FINISH	DRIVER	IP RATING	INPUT VOLTAGE
RINGPEND50	D63046B	50W	3000lm	3000K	G	WHITE	0-10V	IP20	120V-277V






D63112 | 60W | LED Ceiling Pendant


IP20









Each fixture includes a 5" round mounting plate for attaching to a standard 3" octagonal junction box. Color will match fixture.


0-10V dimming option, available for 277V

FAMILY	ITEM#	WATTAGE	LUMENS	CCT	BEAM	FINISH	DRIVER	IP RATING	INPUT VOLTAGE
RINGPEND60	D63112	60W	4800lm	3000K	G	WHITE	0-10V	IP20	120V-277V




D63114 | 40W | LED Ceiling Pendant



IP20










Each fixture includes a 5" round mounting plate for attaching to a standard 3" octagonal junction box. Color will match fixture.

0-10V dimming option, available for 277V


FAMILY	ITEM#	WATTAGE	LUMENS	CCT	BEAM	FINISH	DRIVER	IP RATING	INPUT VOLTAGE
RINGPEND40	D63114W	40W	2400lm	3000K	G	WHITE	0-10V	IP20	120V-277V
RINGPEND40	D63114B	40W	2400lm	3000K	G	BLACK	0-10V	IP20	120V-277V

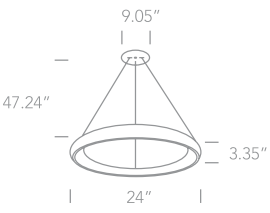




D62144NB | 50W | LED Ceiling Pendant






Each fixture includes a 5" round mounting plate for attaching to a standard 3" octagonal junction box. Color will match fixture.

0-10V dimming option, available for 277V

FAMILY	ITEM#	WATTAGE	LUMENS	CCT	BEAM	FINISH	DRIVER	IP RATING	INPUT VOLTAGE
RINGPENDBS	62144NB	50W	2750lm	3000K	G	BRSH BRASS	0-10V	IP20	120V-277V















D62142NB | 42W | LED Pendant











23.62" | 4.25"

Each fixture includes a 5" round mounting plate for attaching to a standard 3" octagonal junction box. Color will match fixture.

0-10V dimming option, available for 277V



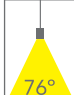
FAMILY	ITEM#	WATTAGE	LUMENS	CCT	BEAM	FINISH	DRIVER	IP RATING	INPUT VOLTAGE
PLAFPEND	D62142NBW	42W	2520lm	3000K	G	WHITE	0-10V	IP20	120V-277V
PLAFPEND	D62142NBAN	42W	2520lm	3000K	G	ANTHRACITE	0-10V	IP20	120V-277V





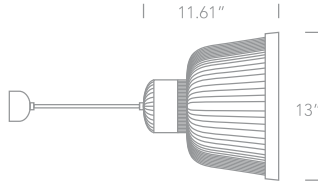
LED BUILT IN

85 CRI

D63030L | 30W | LED Ceiling Pendant

IP20



Each fixture includes a 5\" data-bbox="805 190 915 240"/>

0-10V dimming option, available for 277V

FAMILY	ITEM#	WATTAGE	LUMENS	CCT	BEAM	FINISH	DRIVER	IP RATING	INPUT VOLTAGE
PICA	D63030L	30W	2000lm	3000K	76°	GREY	0-10V	IP20	120V-277V





LED BUILT IN

80 CRI





D38140AU | 40W | SMD 2835 LED | Dark Light Suspended Linear Diffuser w/ Uplight

IP20

DARK LIGHT



Each fixture includes a 5\" data-bbox="725 445 915 475"/>

0-10V dimming option, available for 277V

FAMILY	ITEM#	WATTAGE	LIGHT COLOR	CCT	BEAM	LUMENS	FINISH	DRIVER	INPUT VOLTAGE
LINKID	D38140AUWC	40W	Cool White	4000K	G	3600lm	WHITE	0-10V	120V-277V
LINKID	D38140AUWW	40W	Warm White	3000K	G	3600lm	WHITE	0-10V	120V-277V
LINKID	D38140AUBC	40W	Cool White	4000K	G	3600lm	BLACK	0-10V	120V-277V
LINKID	D38140AUBW	40W	Warm White	3000K	G	3600lm	BLACK	0-10V	120V-277V





LED BUILT IN

80 CRI





D38150BR | 40W | SMD 3030 LED | Dark Light UGR17 Recessed Linear w/ Diffuser

IP20

DARK LIGHT



Remote Driver Enclosure = 6\" data-bbox="635 755 910 765"/>

0-10V dimming option, available for 277V

FAMILY	ITEM#	WATTAGE	LIGHT COLOR	CCT	BEAM	LUMENS	FINISH	DRIVER	INPUT VOLTAGE
RLINDKU	D38150BRWC	40W	Cool White	4000K	34°	4000lm	WHITE	0-10V	120V-277V
RLINDKU	D38150BRWW	40W	Warm White	3000K	34°	4000lm	WHITE	0-10V	120V-277V
RLINDKU	D38150BRBC	40W	Cool White	4000K	34°	4000lm	BLACK	0-10V	120V-277V
RLINDKU	D38150BRBW	40W	Warm White	3000K	34°	4000lm	BLACK	0-10V	120V-277V















D38150AR | 40W | SMD 2835 LED | UGR19 Recessed Linear w/ Diffuser

IP20

Remote Driver Enclosure = 6" x 10" x 2" w/10' Standard Connecting Cable

47.63"



3.15"



2.16"



0-10V dimming option, available for 277V

FAMILY	ITEM#	WATTAGE	LIGHT COLOR	CCT	BEAM	LUMENS	FINISH	DRIVER	INPUT VOLTAGE
RLINU	D38150ARWC	40W	Cool White	4000K	120°	3600lm	WHITE	0-10V	120V-277V
RLINU	D38150ARWW	40W	Warm White	3000K	120°	3600lm	WHITE	0-10V	120V-277V




866.356.4458






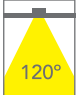
solavantilighting.com


















D38152R | 40W | SMD 2835 LED | *Recessed Linear w/ Diffuser*




Remote Driver Enclosure = 6" x 10" x 2" w/10' Standard Connecting Cable







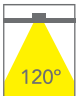
47.63"
2.75"
2.36"

0-10V dimming option, available for 277V


FAMILY	ITEM#	WATTAGE	LIGHT COLOR	CCT	BEAM	LUMENS	FINISH	DRIVER	INPUT VOLTAGE
RLINSYS	D38152RWC	40W	Cool White	4000K	120°	3600lm	WHITE	0-10V	120V-277V
RLINSYS	D38152RWW	40W	Warm White	3000K	120°	3600lm	WHITE	0-10V	120V-277V




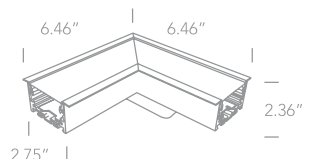



D38152RC | 8W | SMD 2835 LED | *Recessed Corner (for D38152R)*






* New Construction Housing Available
Driver Enclosure = 8" x 10" x 6" w/10' Standard Connecting Cable
Installation Depth = 6.5"




6.46"
6.46"
2.75"
2.36"

Consult for dimming

FAMILY	ITEM#	WATTAGE	LIGHT COLOR	CCT	BEAM	LUMENS	FINISH	DRIVER	INPUT VOLTAGE
RLINSYS	D38152RCWC	8W	Cool White	4000K	120°	720lm	WHITE	0-10V	120V-277V
RLINSYS	D38152RCWW	8W	Warm White	3000K	120°	720lm	WHITE	0-10V	120V-277V











D38152RL | 10W | SMD 2835 LED | *Recessed Ceiling-To-Wall Corner (for D38152R)*



* New Construction Housing Available
Driver Enclosure = 8" x 10" x 6" w/10' Standard Connecting Cable
Installation Depth = 6.5"



5.27"
5.27"
2.36"
2.75"

Consult for dimming

FAMILY	ITEM#	WATTAGE	LIGHT COLOR	CCT	BEAM	LUMENS	FINISH	DRIVER	INPUT VOLTAGE
RLINSYS	D38152RLWC	10W	Cool White	4000K	120°	900lm	WHITE	0-10V	120V-277V
RLINSYS	D38152RLWW	10W	Warm White	3000K	120°	900lm	WHITE	0-10V	120V-277V













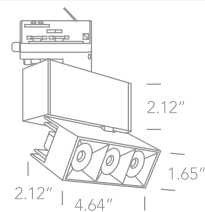






D65524T | 12W | COB LED Dark Light | Aluminum Adjustable Track Spot w/ Honeycomb




IP20
DARK LIGHT

0-10V dimming option, available for 277V

FAMILY	ITEM#	WATTAGE	LIGHT COLOR	CCT	BEAM	LUMENS	FINISH	DRIVER	INPUT VOLTAGE
HEATHER	D65524TW	12W	Warm White	3000K	36°	1000lm	WHITE	0-10V	120V-277V
HEATHER	D65524TB	12W	Warm White	3000K	36°	1000lm	BLACK	0-10V	120V-277V
HEATHER	D65524TBBS	12W	Warm White	3000K	36°	1000lm	BRUSHED BRASS	0-10V	120V-277V



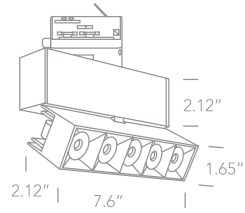











D65306BT | 12W | COB LED | Diecast Adjustable Track Spot

IP20

0-10V dimming option, available for 277V

FAMILY	ITEM#	WATTAGE	LIGHT COLOR	CCT	BEAM	LUMENS	FINISH	DRIVER	INPUT VOLTAGE
PARKER	D65524TW	12W	Warm White	3000K	38°	960lm	WHITE	0-10V	120V-277V
PARKER	D65524TB	12W	Warm White	3000K	38°	960lm	BLACK	0-10V	120V-277V















D65506BT | 20W | COB LED | Diecast Adjustable Track Spot


IP20

0-10V dimming option, available for 277V

FAMILY	ITEM#	WATTAGE	LIGHT COLOR	CCT	BEAM	LUMENS	FINISH	DRIVER	INPUT VOLTAGE
PARKER	D65506BTW	20W	Warm White	3000K	38°	1600lm	WHITE	0-10V	120V-277V
PARKER	D65506BTB	20W	Warm White	3000K	38°	1600lm	BLACK	0-10V	120V-277V






D61076 | 40W | E27 LED | *Decorative Wall Circular Bedside Lamp w/ ON/OFF Switch*


IP20








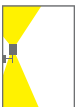
Each fixture includes a 4.5" x 6.5" rectangular white mounting plate for attaching to a standard 3" octagonal junction box. Color will match fixture.

0-10V dimming option, available for 277V

FAMILY	ITEM#	WATTAGE	FINISH	DRIVER	IP RATING	INPUT VOLTAGE
BSW20	D61076BBS	40W	BRUSHED BRASS	0-10V	IP20	120V - 277V

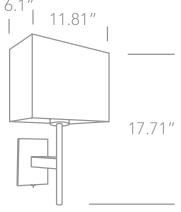




D61078 | 40W | E27 LED | *Decorative Wall Rectangular Bedside Lamp w/ ON/OFF Switch*


IP20







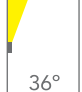


Each fixture includes a 4.5" x 6.5" rectangular white mounting plate for attaching to a standard 3" octagonal junction box. Color will match fixture.

0-10V dimming option, available for 277V

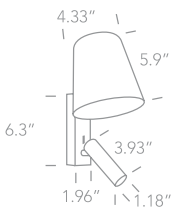
FAMILY	ITEM#	WATTAGE	FINISH	DRIVER	IP RATING	INPUT VOLTAGE
BSW20	D61078BBS	40W	BRUSHED BRASS	0-10V	IP20	120V - 277V



D65142 | 3W | COB LED *Bedside Adjustable Fitting With Aluminum Shade*


IP20




Each fixture includes a 4.5" x 6.5" rectangular white mounting plate for attaching to a standard 3" octagonal junction box. Color will match fixture.

120V Not dimmable, 277V consult for dimming




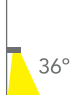
FAMILY	ITEM#	WATTAGE	LUMENS	CCT	BEAM	FINISH	DRIVER	IP RATING	INPUT VOLTAGE
MIMI	D65142	3W	160lm	3000K	36°	WHITE	0-10V	IP20	120V - 277V





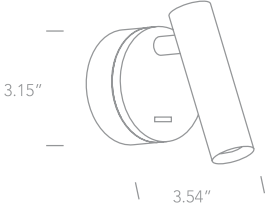
LED BUILT IN

85 CRI

D65738 | 3W | COB LED *Bedside Adjustable Fitting Wall Lamp*


IP20




Each fixture includes a 5" round mounting plate for attaching to a standard 3" octagonal junction box. Color will match fixture.




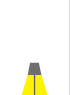
120V Not dimmable, 277V consult for dimming

FAMILY	ITEM#	WATTAGE	LUMENS	CCT	BEAM	FINISH	DRIVER	IP RATING	INPUT VOLTAGE
OSCAR	D65738	3W	160lm	3000K	36°	BRSHD BRASS	0-10V	IP20	120V - 277V



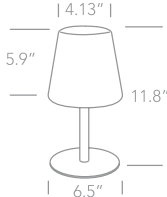


LED BUILT IN


D61084 | 2W | SMD LED | *Touch Switch 3-Step Dimming *Rechargeable Table Lamp*


IP44



*RECHARGEABLE USB SOCKET - Charging Time: 4 Hrs
Working Time: 8 Hrs
(2200mAh Lithium battery)





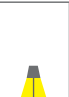
FAMILY	ITEM#	WATTAGE	LUMENS	CCT	LIGHT COLOR	FINISH	DRIVER	IP RATING	INPUT VOLTAGE
RDTL44	D61084B	2W	80lm	3000K	Warm White	BLACK	0-10V	IP44	120V - 277V





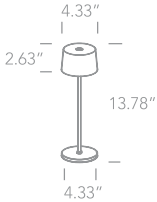
LED BUILT IN

80 CRI

D61082A | 3.3W | SMD LED | *Touch Switch Dimmable *Rechargeable Table Lamp*

IP65



*RECHARGEABLE USB SOCKET - Charging Time: 6 Hrs
Working Time: 9 Hrs
(2x2200mAh Lithium battery)

FAMILY	ITEM#	WATTAGE	LUMENS	CCT	LIGHT COLOR	FINISH	DRIVER	IP RATING	INPUT VOLTAGE
RDTL65	D61082AW	3.3W	200lm	3000K	Warm White	WHITE	0-10V	IP65	120V - 277V
RDTL65	D61082AB	3.3W	200lm	3000K	Warm White	BLACK	0-10V	IP65	120V - 277V