



Ceiling Surface LED



















D12109LA | 9W | COB LED Adjustable Ceiling Downlight




Each fixture includes a 5" round mounting plate for attaching to a standard 3" octagonal junction box. Color will match fixture.

Consult for dimming

FAMILY	ITEM#	WATTAGE	LUMENS	CCT	BEAM	FINISH	DRIVER	IP RATING	INPUT VOLTAGE
APONE	D12109LA	9W	700lm	3000K	25°	WHITE	0-10V	IP20	120V - 277V









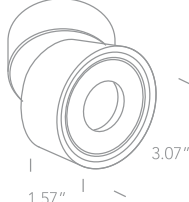








D12108LA | 8W | COB LED Adjustable Ceiling Downlight

Each fixture includes a 5" round mounting plate for attaching to a standard 3" octagonal junction box. Color will match fixture.

Consult for dimming

FAMILY	ITEM#	WATTAGE	LUMENS	CCT	BEAM	FINISH	DRIVER	IP RATING	INPUT VOLTAGE
APONE	D12108LAW	8W	600lm	3000K	25°	WHITE	0-10V	IP20	120V - 277V
APONE	D12108LAB	8W	600lm	3000K	25°	BLACK	0-10V	IP20	120V - 277V

















D12208LA | 2 X 8W | COB LED Adjustable Ceiling Downlight






Each fixture includes a 4.5" x 6.5" rectangular mounting plate for attaching to a standard 3" octagonal junction box. Color will match fixture.




Consult for dimming

FAMILY	ITEM#	WATTAGE	LUMENS	CCT	BEAM	FINISH	DRIVER	IP RATING	INPUT VOLTAGE
APONE	D12208LAW	2X8W	2X600lm	3000K	25°	WHITE	0-10V	IP20	120V - 277V
APONE	D12208LAB	2X8W	2X600lm	3000K	25°	BLACK	0-10V	IP20	120V - 277V








D12112LA | 12W | COB LED Adjustable Ceiling Downlight





Each fixture includes a 5" round mounting plate for attaching to a standard 3" octagonal junction box. Color will match fixture.

0-10V dimming option, available for 277V


FAMILY	ITEM#	WATTAGE	LUMENS	CCT	BEAM	FINISH	DRIVER	IP RATING	INPUT VOLTAGE
APONE	D12112LA	12W	740lm	3000K	30°	WHITE	0-10V	IP20	120V - 277V








LED BUILT IN

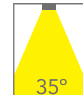
80 CRI










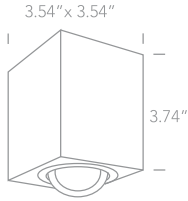


35°

D12106CA | 6W | COB LED *Cube*



IP20





3.54" x 3.54"
3.74"

Each fixture includes a 4.5" square mounting plate for attaching to a standard 3" octagonal junction box. Color will match fixture.

Consult for dimming


FAMILY	ITEM#	WATTAGE	LUMENS	CCT	BEAM	FINISH	DRIVER	IP RATING	INPUT VOLTAGE
KELLY	D12106CA	6W	480lm	3000K	35°	WHITE	0-10V	IP20	120V - 277V








LED BUILT IN

90 CRI



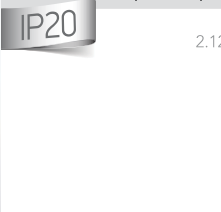




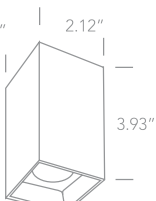


36°

D12107B | 7W | COB LED *Surface Dimmable Spot*



IP20

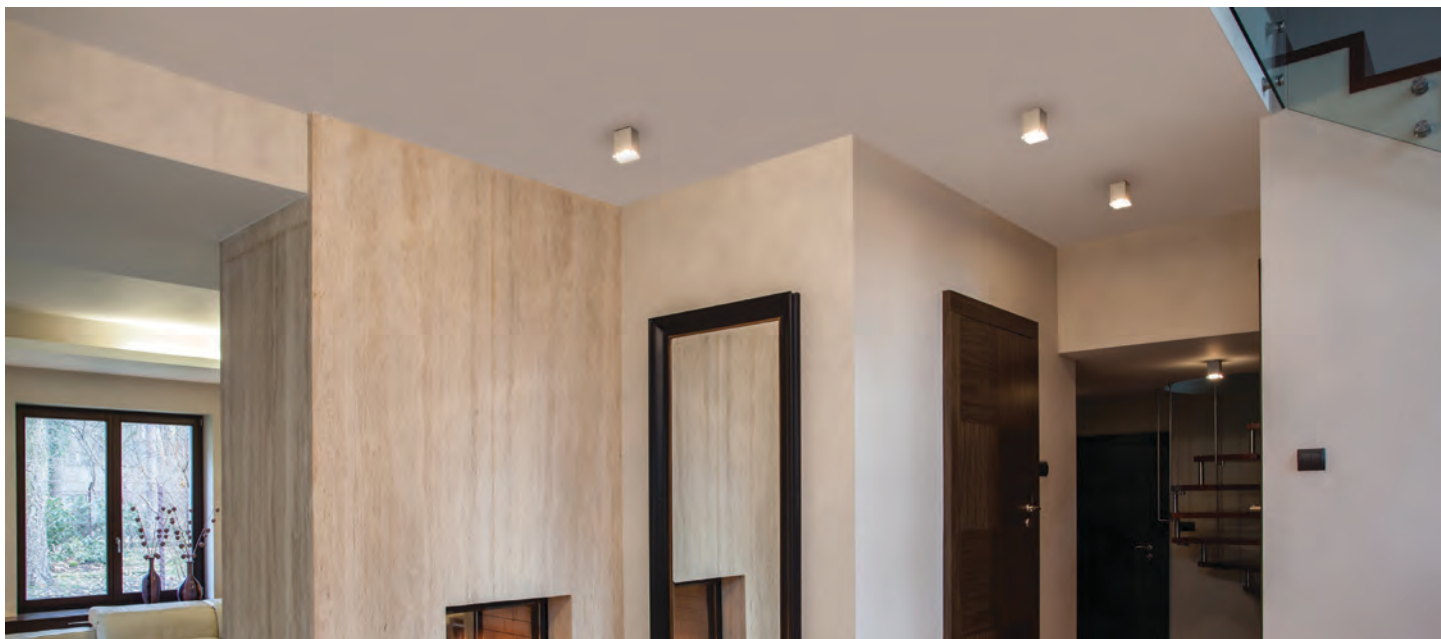


2.12" x 2.12"
3.93"

Each fixture includes a 4.5" square mounting plate for attaching to a standard 3" octagonal junction box. Color will match fixture.

Consult for dimming

FAMILY	ITEM#	WATTAGE	LUMENS	CCT	BEAM	FINISH	DRIVER	IP RATING	INPUT VOLTAGE
KELLY	D121017B	7W	550lm	3000K	36°	WHITE	0-10V	IP20	120V - 277V








LED
BUILT IN

90
CRI







38°

D12106B | 6W | COB LED Surface Spot With Dark Chrome Reflector




IP20




Each fixture includes a 4.5" square mounting plate for attaching to a standard 3" octagonal junction box. Color will match fixture.

Consult for dimming


FAMILY	ITEM#	WATTAGE	LUMENS	CCT	BEAM	FINISH	DRIVER	IP RATING	INPUT VOLTAGE
KELLY	D12106B	6W	480lm	3000K	38°	WHITE	0-10V	IP20	120V - 277V







LED
BUILT IN

90
CRI






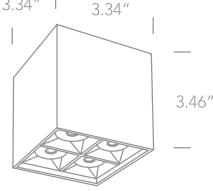


38°

D12406B | 15W | COB LED Surface Spot With Dark Chrome Reflector




IP20




Each fixture includes a 4.5" square mounting plate for attaching to a standard 3" octagonal junction box. Color will match fixture.

0-10V dimming option, available for 277V


FAMILY	ITEM#	WATTAGE	LUMENS	CCT	BEAM	FINISH	DRIVER	IP RATING	INPUT VOLTAGE
KELLY	D12406BW	15W	1200lm	3000K	38°	WHITE	0-10V	IP20	120V - 277V
KELLY	D12406BB	15W	1200lm	3000K	38°	BLACK	0-10V	IP20	120V - 277V







LED
BUILT IN

90
CRI






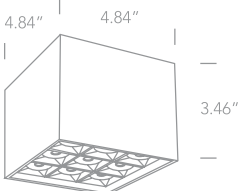


38°

D12906B | 30W | COB LED Surface Spot With Dark Chrome Reflector




IP20





Each fixture includes a 6.5" square mounting plate for attaching to a standard 3" octagonal junction box. Color will match fixture.


0-10V dimming option, available for 277V


FAMILY	ITEM#	WATTAGE	LUMENS	CCT	BEAM	FINISH	DRIVER	IP RATING	INPUT VOLTAGE
KELLY	D12906BW	30W	2400lm	3000K	38°	WHITE	0-10V	IP20	120V - 277V
KELLY	D12906BB	30W	2400lm	3000K	38°	BLACK	0-10V	IP20	120V - 277V










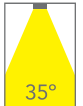









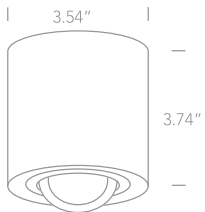




D12106C | 6W | COB LED Cylinder



IP20



Each fixture includes a 5" round mounting plate for attaching to a standard 3" octagonal junction box. Color will match fixture.

Consult for dimming

FAMILY	ITEM#	WATTAGE	LUMENS	CCT	BEAM	FINISH	DRIVER	IP RATING	INPUT VOLTAGE
KELLY	D12106C	6W	480lm	3000K	35°	WHITE	0-10V	IP20	120V - 277V



866.356.4458


solavanti


lighting.com











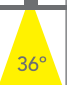





**LED
BUILT IN**

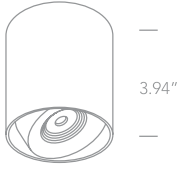
**90
CRI**

D12108X | 8W | COB LED | *Surface Dimmable, Adjustable Aluminum Body Cylinder*


IP20




Each fixture includes a 5" round mounting plate for attaching to a standard 3" octagonal junction box. Color will match fixture.

Consult for dimming




FAMILY	ITEM#	WATTAGE	LIGHT COLOR	CCT	BEAM	LUMENS	FINISH	DRIVER	INPUT VOLTAGE
APONE	D12108XW	8W	Warm White	3000K	36°	640lm	WHITE	0-10V	120V-277V


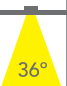




**LED
BUILT IN**

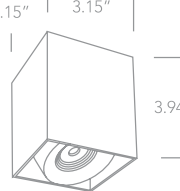
**90
CRI**

D12108XA | 8W | COB LED | *Surface Dimmable, Adjustable Aluminum Body Cylinder*


IP20




Each fixture includes a 4.5" square mounting plate for attaching to a standard 3" octagonal junction box. Color will match fixture.

Consult for dimming




FAMILY	ITEM#	WATTAGE	LIGHT COLOR	CCT	BEAM	LUMENS	FINISH	DRIVER	INPUT VOLTAGE
APONE	D12108XAW	8W	Warm White	3000K	36°	640lm	WHITE	0-10V	120V-277V


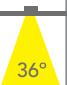




**LED
BUILT IN**

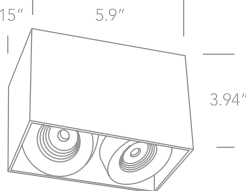
**90
CRI**

D12208XA | 2 x 8W | COB LED | *Surface Dimmable, Adjustable Aluminum Body Cylinder*


IP20




Each fixture includes a 4.5" x 6.5" rectangular mounting plate for attaching to a standard 3" octagonal junction box. Color will match fixture.

Consult for dimming



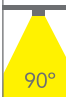
FAMILY	ITEM#	WATTAGE	LIGHT COLOR	CCT	BEAM	LUMENS	FINISH	DRIVER	INPUT VOLTAGE
APONE	D12208XAW	2 x 8W	Warm White	3000K	36°	2 x 640lm	WHITE	0-10V	120V-277V





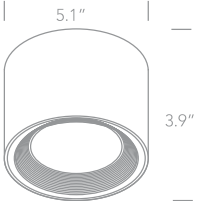
**LED
BUILT IN**

**80
CRI**


D12115L | 15W | SMD LED Ceiling Downlight


IP40



0-10V dimming option, available for 277V



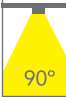
FAMILY	ITEM#	WATTAGE	LUMENS	CCT	BEAM	FINISH	DRIVER	IP RATING	INPUT VOLTAGE
BRUCE	D12115L	15W	1280lm	3000K	90°	WHITE	0-10V	IP40	120V-277V





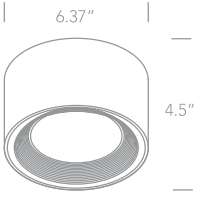
**LED
BUILT IN**

**80
CRI**

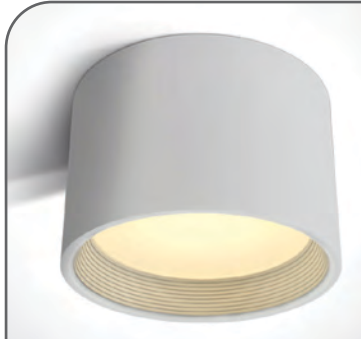
D12125L | 25W | COB LED Ceiling Downlight


IP40



0-10V dimming option, available for 277V



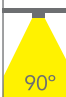
FAMILY	ITEM#	WATTAGE	LUMENS	CCT	BEAM	FINISH	DRIVER	IP RATING	INPUT VOLTAGE
BRUCE	D12125L	25W	2150lm	3000K	90°	WHITE	0-10V	IP40	120V-277V





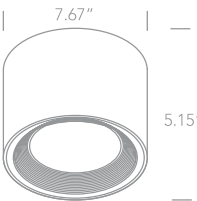
**LED
BUILT IN**

**80
CRI**

D12135L | 35W | COB LED Ceiling Downlight


IP40





0-10V dimming option, available for 277V


FAMILY	ITEM#	WATTAGE	LUMENS	CCT	BEAM	FINISH	DRIVER	IP RATING	INPUT VOLTAGE
BRUCE	D12135L	35W	3000lm	3000K	90°	WHITE	0-10V	IP40	120V-277V










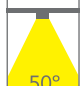






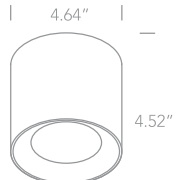






D12115LA | 15W | COB LED Ceiling Downlight


IP20






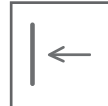



Each fixture includes a 5" round mounting plate for attaching to a standard 3" octagonal junction box. Color will match fixture.

0-10V dimming option, available for 277V

FAMILY	ITEM#	WATTAGE	LUMENS	CCT	BEAM	FINISH	DRIVER	IP RATING	INPUT VOLTAGE
FOXX	D12115LA	15W	1300lm	3000K	50°	WHITE	0-10V	IP20	120V - 277V
















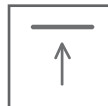


D12125LA | 25W | COB LED Ceiling Surface Downlight

IP20

0-10V dimming option, available for 277V

FAMILY	ITEM#	WATTAGE	LUMENS	CCT	BEAM	FINISH	DRIVER	IP RATING	INPUT VOLTAGE
FOXX	D12125LA	25W	2100lm	3000K	50°	WHITE	0-10V	IP20	120V - 277V



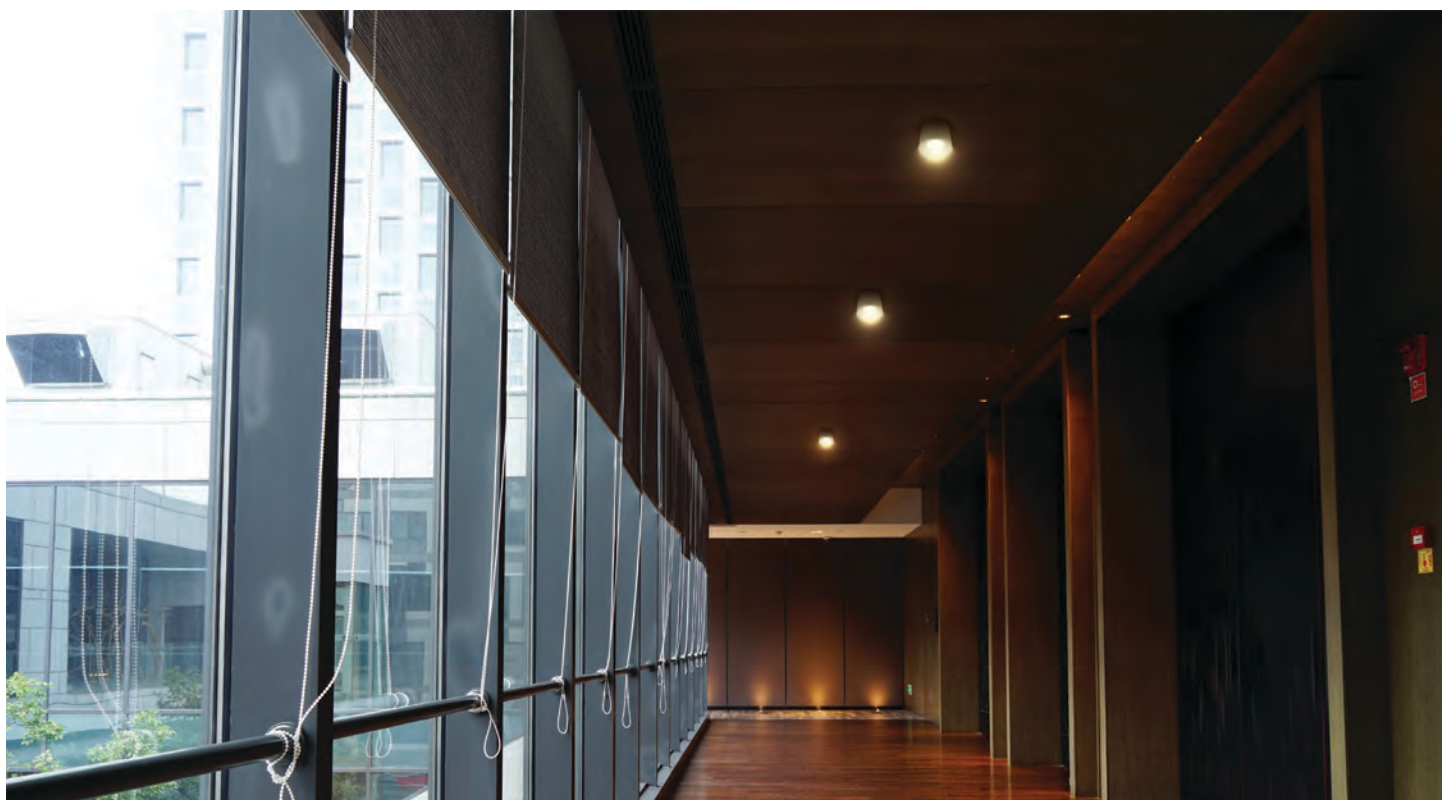








D12130LA | 30W | COB LED Ceiling Surface Downlight


IP20






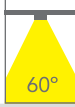
0-10V dimming option, available for 277V

FAMILY	ITEM#	WATTAGE	LUMENS	CCT	BEAM	FINISH	DRIVER	IP RATING	INPUT VOLTAGE
FOXX	D12130LA	30W	2500lm	3000K	50°	WHITE	0-10V	IP20	120V - 277V



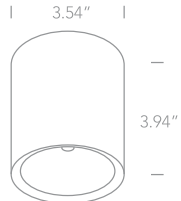




D67380 | 10W | COB LED Ceiling Surface Cylinder


IP54






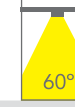


Each fixture includes a 5" round mounting plate for attaching to a standard 3" octagonal junction box. Color will match fixture.

Consult for dimming

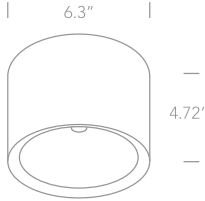
FAMILY	ITEM#	WATTAGE	LUMENS	CCT	BEAM	FINISH	DRIVER	IP RATING	INPUT VOLTAGE
STUDEN	D67380	10W	700lm	3000K	60°	WHITE	0-10V	IP54	120V-277V



D67380A | 25W | COB LED Ceiling Surface Cylinder

IP54



0-10V dimming option, available for 277V

FAMILY	ITEM#	WATTAGE	LUMENS	CCT	BEAM	FINISH	DRIVER	IP RATING	INPUT VOLTAGE
STUDEN	D67380A	25W	1800lm	3000K	60°	WHITE	0-10V	IP54	120V-277V












Each fixture includes a 5" round mounting plate for attaching to a standard 3" octagonal junction box. Color will match fixture.

D67138C | 6W | Indoor / Outdoor LED Ceiling Surface *Cylinder*





IP54



3.15" |
4.13" |

Consult for dimming

FAMILY	ITEM#	WATTAGE	LUMENS	CCT	BEAM	FINISH	DRIVER	IP RATING	INPUT VOLTAGE
VIRO	D67138CW	6W	440lm	3000K	35°	WHITE	0-10V	IP54	120V-277V
VIRO	D67138CAN	6W	440lm	3000K	35°	ANTHRACITE	0-10V	IP54	120V-277V
VIRO	D67138CB	6W	440lm	3000K	35°	BLACK	0-10V	IP54	120V-277V












Each fixture includes a 4.5" square mounting plate for attaching to a standard 3" octagonal junction box. Color will match fixture.

D67138D | 6W | Indoor / Outdoor LED Ceiling Surface *Cube*






IP54



3.15" x 3.15" |
4.21" |

Consult for dimming

FAMILY	ITEM#	WATTAGE	LUMENS	CCT	BEAM	FINISH	DRIVER	IP RATING	INPUT VOLTAGE
VIRO	D67138DW	6W	440lm	3000K	35°	WHITE	0-10V	IP54	120V-277V
VIRO	D67138DAN	6W	440lm	3000K	35°	ANTHRACITE	0-10V	IP54	120V-277V
VIRO	D67138DB	6W	440lm	3000K	35°	BLACK	0-10V	IP54	120V-277V
VIRO	D67138DG	6W	440lm	3000K	35°	GREY	0-10V	IP54	120V-277V