



# Recessed Spots Adjustable LED




FAMILY	ITEM#	WATTAGE	LUMENS	CCT	BEAM	FINISH	DRIVER	IP RATING	INPUT VOLTAGE
SALU	D11107DLW	7W	450lm	3000K	38°	WHITE	0-10V	IP20	120V - 277V
SALU	D11107DLB	7W	450lm	3000K	38°	BLACK	0-10V	IP20	120V - 277V








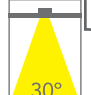
☎ 866.356.4458

**solavanti**lighting.com


f p i in


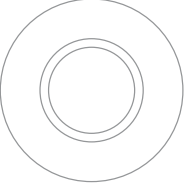
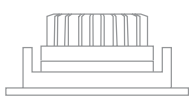




**D11110E** | 10W | COB LED | Dark Light Adjustable Recessed Spot, Dk Chrome Reflector














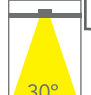
\* New Construction Housing Available  
Driver Enclosure = 8" x 10" x 6" w/10' Standard Connecting Cable  
Installation Depth = 6.5"

3.74"      1.96"


Consult for dimming


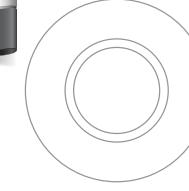
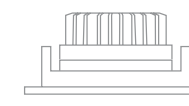
FAMILY	ITEM#	WATTAGE	LUMENS	CCT	BEAM	FINISH	DRIVER	IP RATING	INPUT VOLTAGE
HUNYA	D11110EW	10W	850lm	3000K	30°	WHITE	0-10V	IP20	120V - 277V
HUNYA	D11110EB	10W	850lm	3000K	30°	BLACK	0-10V	IP20	120V - 277V



**D11120E** | 20W | COB LED | Dark Light Adjustable Recessed Spot, Dk Chrome Reflector



\* New Construction Housing Available  
Driver Enclosure = 8" x 10" x 6" w/10' Standard Connecting Cable  
Installation Depth = 6.5"

6.3"      2.83"

0-10V dimming option, available for 277V

FAMILY	ITEM#	WATTAGE	LUMENS	CCT	BEAM	FINISH	DRIVER	IP RATING	INPUT VOLTAGE
HUNYA	D11120EW	20W	1700lm	3000K	30°	WHITE	0-10V	IP20	120V - 277V
HUNYA	D11120EB	20W	1700lm	3000K	30°	BLACK	0-10V	IP20	120V - 277V












**D11130E** | 30W | COB LED | Dark Light Adjustable Recessed Spot, Dk Chrome Reflector







Remote Driver Enclosure = 6" x 10" x 2"  
w/10' Standard Connecting Cable

8.66"      2.95"

0-10V dimming option, available for 277V

FAMILY	ITEM#	WATTAGE	LUMENS	CCT	BEAM	FINISH	DRIVER	IP RATING	INPUT VOLTAGE
HOWL	D11130EW	30W	2550lm	3000K	30°	WHITE	0-10V	IP20	120V - 277V
HOWL	D11130EB	30W	2550lm	3000K	30°	BLACK	0-10V	IP20	120V - 277V

Recessed Spots Adjustable LED





**LED BUILT IN**

**85 CRI**







ADJUSTABLE



50°

**D11102** | 1W | LED | *Recessed Adjustable Mini Lighter*



Remote Driver Enclosure = 6" x 10" x 2"  
w/10' Standard Connecting Cable



120V Not dimmable,  
277V consult for dimming





2.04"



0.787"


FAMILY	ITEM#	WATTAGE	LUMENS	CCT	BEAM	FINISH	DRIVER	IP RATING	INPUT VOLTAGE
ARNO	D111102	1W	60lm	3000K	50°	WHITE	0-10V	IP20	120V - 277V







**LED BUILT IN**


**90 CRI**



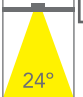




ADJUSTABLE




DIMMABLE  
Consult Factory

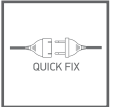


24°

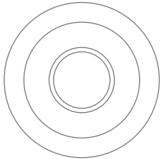
**D11106M** | 6W | LED | *Recessed Adjustable Spot*



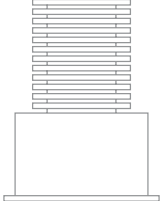
Remote Driver Enclosure = 6" x 10" x 2"  
w/10' Standard Connecting Cable



120V Not dimmable,  
277V consult for dimming





2.48"



3.07"


FAMILY	ITEM#	WATTAGE	LUMENS	CCT	BEAM	FINISH	DRIVER	IP RATING	INPUT VOLTAGE
MARLO	D11106M	6W	540lm	3000K	24°	WHITE	0-10V	IP20	120V - 277V







**LED BUILT IN**


**90 CRI**



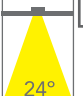




ADJUSTABLE




DIMMABLE  
Consult Factory

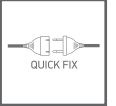


24°

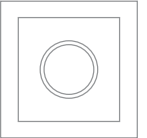
**D51106M** | 6W | LED | *Recessed Adjustable Spot*



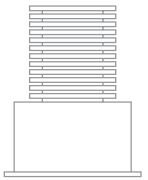
Remote Driver Enclosure = 6" x 10" x 2"  
w/10' Standard Connecting Cable



Consult for dimming



2.44"



2.95"

FAMILY	ITEM#	WATTAGE	LUMENS	CCT	BEAM	FINISH	DRIVER	IP RATING	INPUT VOLTAGE
MARLO	D51106M	6W	5400lm	4000K	24°	WHITE	0-10V	IP20	120V - 277V











**D11103BD** | 3W | COB LED | *Dark Light Recessed Adjustable Spot*






Remote Driver Enclosure = 6" x 10" x 2"  
w/10' Standard Connecting Cable



120V Not dimmable,  
277V consult for dimming

FAMILY	ITEM#	WATTAGE	LUMENS	CCT	BEAM	FINISH	DRIVER	IP RATING	INPUT VOLTAGE
MARLO	D11103BD	3W	220lm	3000K	36°	WHITE	0-10V	IP20	120V - 277V









LED  
BUILT IN

90  
CRI







ADJUSTABLE



DIMMABLE  
Consult Factory



36°

**D11107C** | 7W | COB LED | Recessed Adjustable Spot



IP20



\* New Construction Housing Available  
Driver Enclosure = 8" x 10" x 6" w/10' Standard Connecting Cable  
Installation Depth = 6.5"



Consult for dimming

FAMILY	ITEM#	WATTAGE	LUMENS	CCT	BEAM	FINISH	DRIVER	IP RATING	INPUT VOLTAGE
PEP	D11107CW	7W	520lm	3000K	36°	WHITE	0-10V	IP20	120V - 277V
PEP	D11107CB	7W	520lm	3000K	36°	BLACK	0-10V	IP20	120V - 277V











**D11112TA** | 12W | COB LED | *Dark Light Recessed Adjustable Spot*







\* New Construction Housing Available  
Driver Enclosure = 8" x 10" x 6" w/10' Standard Connecting Cable  
Installation Depth = 6.5"

0-10V dimming option, available for 277V

FAMILY	ITEM#	WATTAGE	LUMENS	CCT	BEAM	FINISH	DRIVER	IP RATING	INPUT VOLTAGE
ARGUS	D11112TA	12W	1100lm	3000K	40°	WHITE	0-10V	IP20	120V - 277V












**D11112D** | 12W | LED | *Dark Light Recessed Adjustable Spot*








\* New Construction Housing Available  
Driver Enclosure = 8" x 10" x 6" w/10' Standard Connecting Cable  
Installation Depth = 6.5"







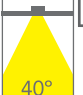
0-10V dimming option, available for 277V

FAMILY	ITEM#	WATTAGE	LUMENS	CCT	BEAM	FINISH	DRIVER	IP RATING	INPUT VOLTAGE
HIPOINT	D11112D	12W	650lm	3000K	38°	WHITE	0-10V	IP20	120V - 277V






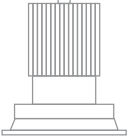
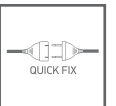
Recessed Spots Adjustable LED



**D51112TA** | 12W | COB LED | *Dark Light Recessed Adjustable Spot*











\* New Construction Housing Available  
Driver Enclosure = 8" x 10" x 6" w/10' Standard Connecting Cable  
Installation Depth = 6.5"



4.13" | 4.13" | 4.33"

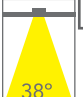
0-10V dimming option, available for 277V

FAMILY	ITEM#	WATTAGE	LUMENS	CCT	BEAM	FINISH	DRIVER	IP RATING	INPUT VOLTAGE
ARGUS	D51112TA	12W	1100lm	3000K	40°	WHITE	0-10V	IP20	120V - 277V








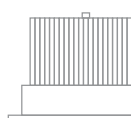





**D11120C** | 20W | COB LED | *Adjustable Retro Recessed Downlight*















\* New Construction Housing Available  
Driver Enclosure = 8" x 10" x 6" w/10' Standard Connecting Cable  
Installation Depth = 6.5"

5.43" | 2.95"


0-10V dimming option, available for 277V




FAMILY	ITEM#	WATTAGE	LUMENS	CCT	BEAM	FINISH	DRIVER	IP RATING	INPUT VOLTAGE
HOWL	D11120C	20W	1600lm	4000K	38°	WHITE	0-10V	IP20	120V - 277V



**D511145** | 45W | LED | SMD LED *Recessed Adjustable Downlight*



Remote Driver Enclosure = 6" x 10" x 2" w/10' Standard Connecting Cable

9.48" | 6.18" | 3.54"

0-10V dimming option, available for 277V

FAMILY	ITEM#	WATTAGE	LUMENS	CCT	BEAM	FINISH	DRIVER	IP RATING	INPUT VOLTAGE
VAGOS	D511145	45W	3500lm	3000K	95°	WHITE	0-10V	IP20	120V - 277V







	<b>LED BUILT IN</b>	<b>80 CRI</b>				
D11114R   14W   COB LED   Adjustable Pop-Out Range						



5.51"




3.62"

\* New Construction Housing Available  
Driver Enclosure = 8" x 10" x 6" w/10' Standard Connecting Cable  
Installation Depth = 6.5"




0-10V dimming option, available for 277V

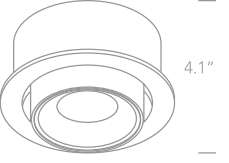
FAMILY	ITEM#	WATTAGE	LUMENS	CCT	BEAM	FINISH	DRIVER	IP RATING	INPUT VOLTAGE
ILANDI	D11114R	14W	1100lm	4000K	36°	ALUM	0-10V	IP20	120V - 277V



	<b>LED BUILT IN</b>	<b>80 CRI</b>				
D11125R   25W   COB LED   Adjustable Pop-Out Range						




6.7"



4.1"


\* New Construction Housing Available  
Driver Enclosure = 8" x 10" x 6" w/10' Standard Connecting Cable  
Installation Depth = 6.5"



0-10V dimming option, available for 277V

FAMILY	ITEM#	WATTAGE	LUMENS	CCT	BEAM	FINISH	DRIVER	IP RATING	INPUT VOLTAGE
ILANDI	D11125R	25W	2200lm	4000K	40°	WHITE	0-10V	IP20	120V - 277V



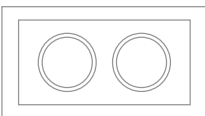


	<b>LED BUILT IN</b>	<b>90 CRI</b>				
--	---------------------	---------------	--	--	--	--

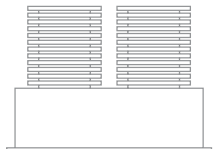
**D51206M** | 2 X 6W | LED | 2X Recessed Adjustable Spot

**IP20**

4.52"

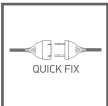


2.44"




2.95"

\* New Construction Housing Available  
Driver Enclosure = 8" x 10" x 6" w/10' Standard Connecting Cable  
Installation Depth = 6.5"



Consult for dimming

FAMILY	ITEM#	WATTAGE	LUMENS	CCT	BEAM	FINISH	DRIVER	IP RATING	INPUT VOLTAGE
VERSA	D51206M	2 X 6W	2 X 540lm	3000K	24°	WHITE	0-10V	IP20	120V - 277V

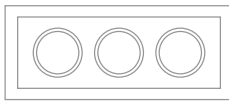


	<b>LED BUILT IN</b>	<b>90 CRI</b>				
--	---------------------	---------------	--	--	--	--

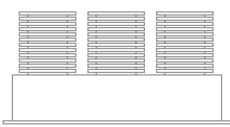
**D51306M** | 3 X 6W | LED | Recessed Adjustable Spot

**IP20**

6.18"

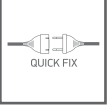


2.44"




2.95"








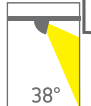
\* New Construction Housing Available  
Driver Enclosure = 8" x 10" x 6" w/10' Standard Connecting Cable  
Installation Depth = 6.5"



Consult for dimming

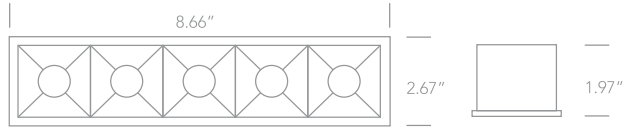
FAMILY	ITEM#	WATTAGE	LUMENS	CCT	BEAM	FINISH	DRIVER	IP RATING	INPUT VOLTAGE
VERSA	D51306M	3 X 6W	3 X 540lm	3000K	24°	WHITE	0-10V	IP20	120V - 277V



**D51506B** | 20W | COB LED | Adjustable Recessed Spot, Dk Chrome Reflector


Remote Driver Enclosure = 6" x 10" x 2" w/10' Standard Connecting Cable






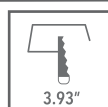

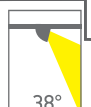


IP20

0-10V dimming option, available for 277V

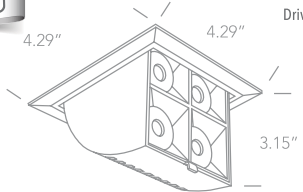
FAMILY	ITEM#	WATTAGE	LUMENS	CCT	BEAM	FINISH	DRIVER	IP RATING	INPUT VOLTAGE
SENECADJ	D51506BW	20W	1600lm	3000K	38°	WHITE	0-10V	IP20	120V - 277V
SENECADJ	D51506BB	20W	1600lm	3000K	38°	BLACK	0-10V	IP20	120V - 277V



**D51406B** | 16W | COB LED | Adjustable Recessed Spot, Dk Chrome Reflector

\* New Construction Housing Available  
Driver Enclosure = 8" x 10" x 6" w/10' Standard Connecting Cable  
Installation Depth = 6.5"



IP20

0-10V dimming option, available for 277V

FAMILY	ITEM#	WATTAGE	LUMENS	CCT	BEAM	FINISH	DRIVER	IP RATING	INPUT VOLTAGE
VERSAQUAD	D51406BW	16W	1280lm	3000K	38°	WHITE	0-10V	IP20	120V - 277V
VERSAQUAD	D51406BB	16W	1280lm	3000K	38°	BLACK	0-10V	IP20	120V - 277V

866.356.4458

**solavanti**lighting.com

