

DATE:

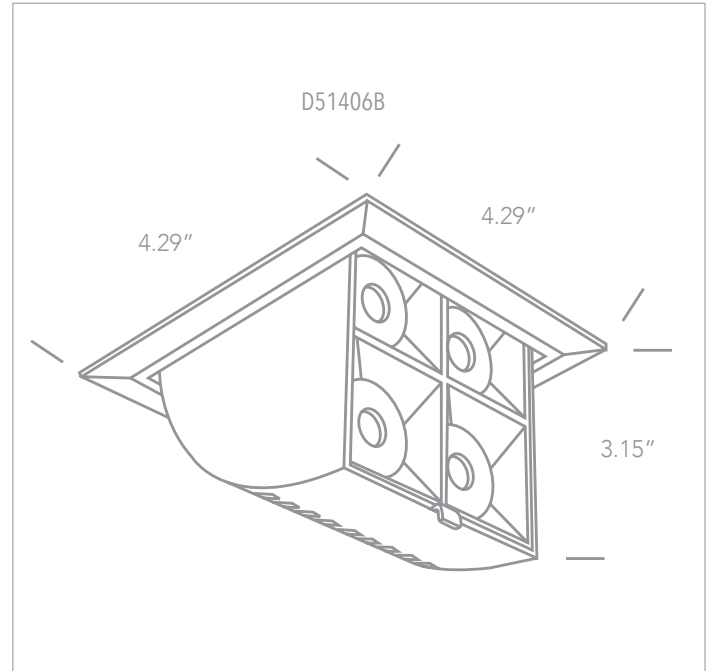
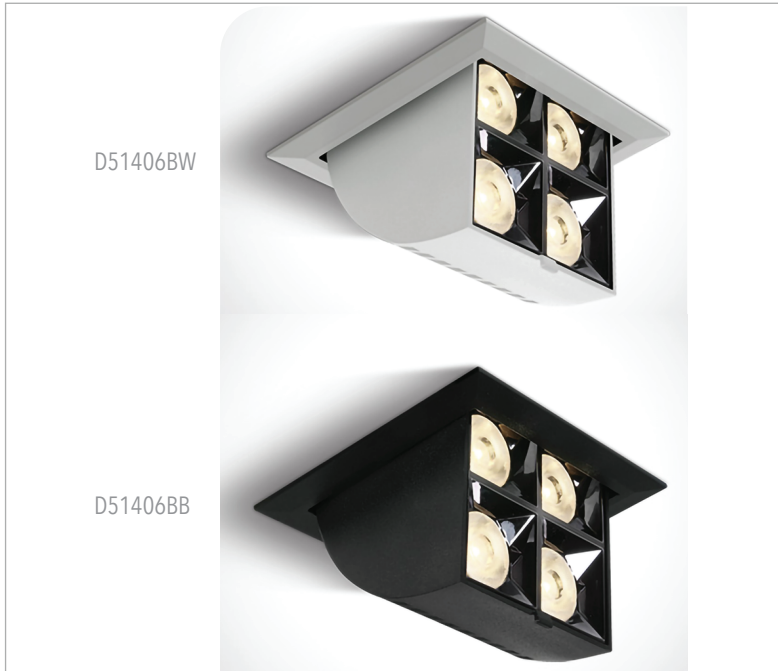
CUSTOMER:

PROJECT:

QUANTITY:

VERSAQUAD

D51406BW, D51406BB
16W COB LED recessed adjustable spot w/ dark chrome reflector



EXAMPLE:

FAMILY	ITEM#	WATTAGE	LUMENS	CCT	BEAM	FINISH	DRIVER	IP RATING	INPUT VOLTAGE
VERSAQUAD	D51406BW	16W	1280lm	30	38	W	A	20	120



FAMILY	ITEM#	WATTAGE	LUMENS	CCT	BEAM	FINISH	DRIVER	IP RATING	INPUT VOLTAGE
VERSAQUAD									
	D51406BW	16W	1280lm	30 3000K	38 38°	W WHITE	A 0-10V	20 IP20	120/277 120V - 277V
	D51406BB	16W	1280lm	30 3000K	38 38°	B BLACK	A 0-10V	20 IP20	120/277 120V - 277V

NOTES	<p>D51406B: New Construction Housing Available Driver Enclosure = 8" x 10" x 6" w/10' Standard Connecting Cable Installation Depth = 6.5" 0-10V dimming option, available for 277V</p>	WEB LINKS:
		D51406B