

DATE:

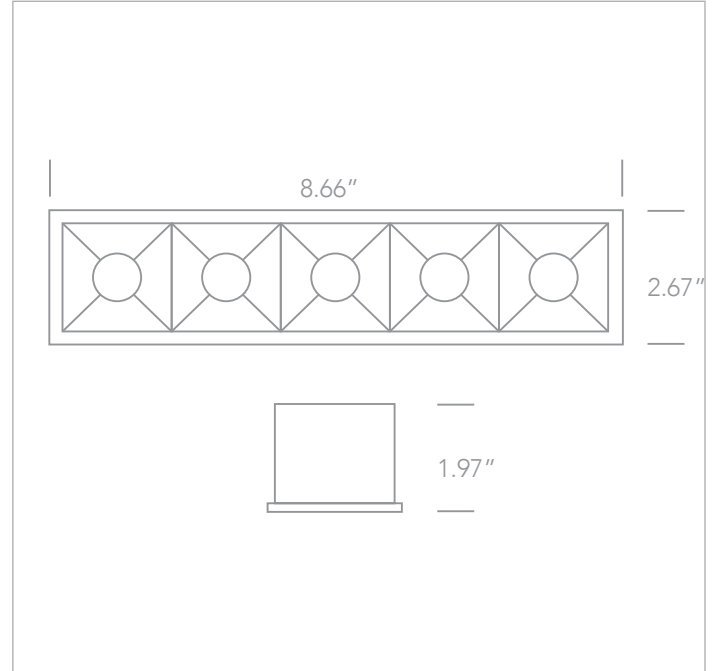
CUSTOMER:

PROJECT:

QUANTITY:

SENECADJ *D51506B*

20W COB LED Adjustable Recessed Spot w/ Dark Chrome Reflector



EXAMPLE:

FAMILY	ITEM#	FINISH	WATTAGE	LUMENS	CCT	BEAM	DRIVER	IP RATING	INPUT VOLTAGE
SENECADJ	D51506BW	W	20W	1600lm	30	38	A	20	120



FAMILY	ITEM#	FINISH	WATTAGE	LUMENS	CCT	BEAM	DRIVER	IP RATING	INPUT VOLTAGE
SENECADJ	D51506BW	W WHITE	20W	1600lm	30 3000K	38 38°	A 0-10V	20 IP20	120 / 277 120V / 277V
	D51506BB	B BLACK	20W	1600lm	30 3000K	38 38°	A 0-10V	20 IP20	120 / 277 120V / 277V

NOTES	D51506B: Remote Driver Enclosure = 8" x 10" x 6" w/10' Standard Connecting Cable Installation Depth = 6.5"	WEB LINKS: D51506B
	0-10V dimming option, available for 277V	