

DATE:

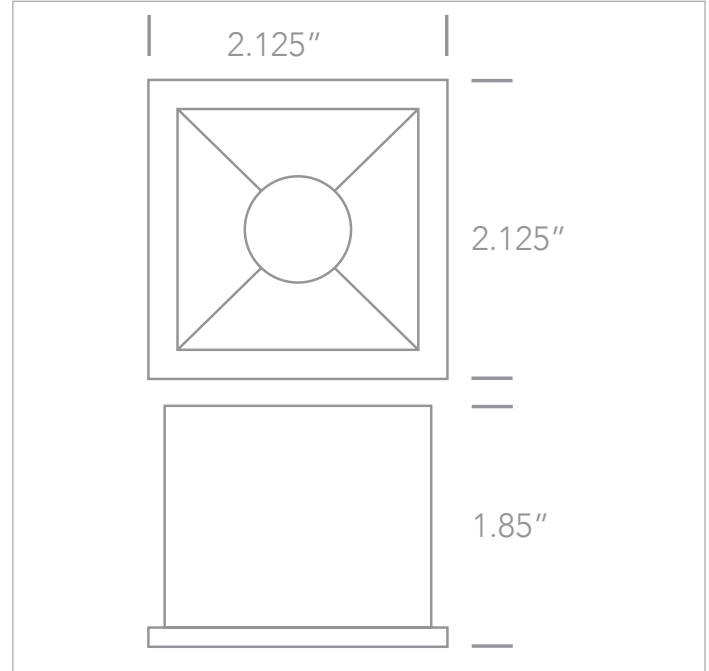
CUSTOMER:

PROJECT:

QUANTITY:

SENECA6 D50106B

6W COB LED Recessed Spot w/ Dark Chrome Reflector



EXAMPLE:

FAMILY	ITEM#	FINISH	WATTAGE	LUMENS	CCT	BEAM	DRIVER	IP RATING	INPUT VOLTAGE
SENECA6	D50106BW	W	6W	480lm	30	38	N	20	120



FAMILY	ITEM#	FINISH	WATTAGE	LUMENS	CCT	BEAM	DRIVER	IP RATING	INPUT VOLTAGE
SENECA6	D50106BW	W WHITE	6W	480lm	30 3000K	38 38°	N NON-DIM	20 IP20	120 / 277 120V / 277V
	D50106BB	B BLACK	6W	480lm	30 3000K	38 38°	N NON-DIM	20 IP20	120 / 277 120V / 277V

NOTES	D50106B: Remote Driver Enclosure = 6" x 10" x 2" w/10' Standard Connecting Cable NON-DIMMING UNDER 10 WATTS	WEB LINKS: D50106B