

DATE:

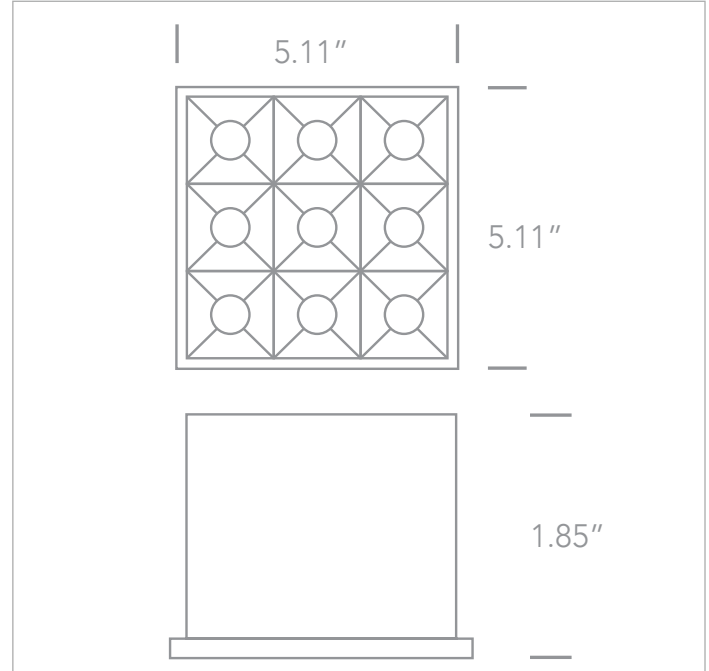
CUSTOMER:

PROJECT:

QUANTITY:

# SENECA36

*D50906B*  
 36W COB LED Recessed Spot w/ Dark Chrome Reflector



EXAMPLE:

FAMILY	ITEM#	FINISH	WATTAGE	LUMENS	CCT	BEAM	DRIVER	IP RATING	INPUT VOLTAGE
SENECA36	D50906BW	W	36W	2880lm	30	38	A	20	120



FAMILY	ITEM#	FINISH	WATTAGE	LUMENS	CCT	BEAM	DRIVER	IP RATING	INPUT VOLTAGE
SENECA36	D50906BW	W WHITE	36W	2880lm	30 3000K	38 38°	A 0-10V	20 IP20	120 / 277 120V / 277V
	D50906BB	B BLACK	36W	2880lm	30 3000K	38 38°	A 0-10V	20 IP20	120 / 277 120V / 277V

<b>NOTES</b>	<b>D50906B:</b> * New Construction Housing Available Driver Enclosure = 8" x 10" x 6" w/10' Standard Connecting Cable Installation Depth = 6.5"  0-10V dimming option, available for 277V	<b>WEB LINKS:</b>  <a href="#">D50906B</a>