

DATE:

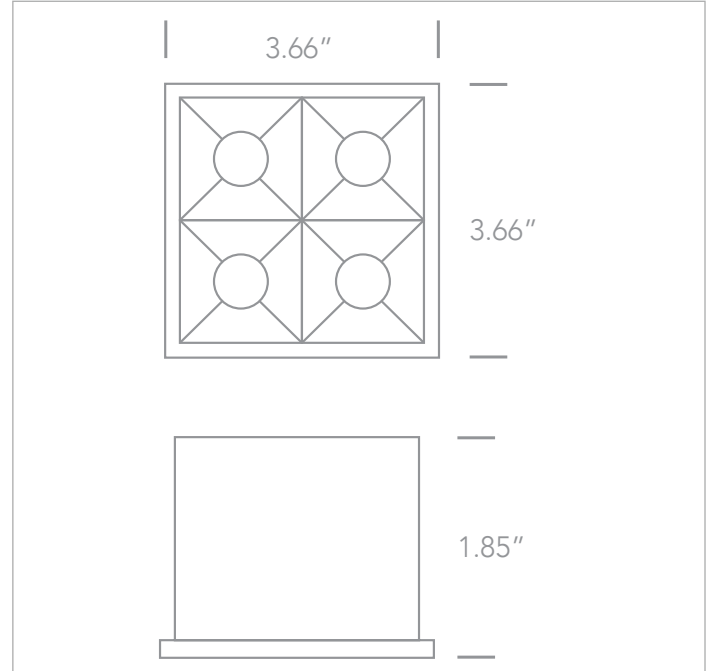
CUSTOMER:

PROJECT:

QUANTITY:

SENECA16 D50406B

16W COB LED Recessed Spot w/ Dark Chrome Reflector



EXAMPLE:

FAMILY	ITEM#	FINISH	WATTAGE	LUMENS	CCT	BEAM	DRIVER	IP RATING	INPUT VOLTAGE
SENECA16	D50406BW	W	16W	1280lm	30	38	A	20	120



FAMILY	ITEM#	FINISH	WATTAGE	LUMENS	CCT	BEAM	DRIVER	IP RATING	INPUT VOLTAGE
SENECA16	D50406BW	W WHITE	16W	1280lm	30 3000K	38 38°	A 0-10V	20 IP20	120 / 277 120V / 277V
	D50406BB	B BLACK	16W	1280lm	30 3000K	38 38°	A 0-10V	20 IP20	120 / 277 120V / 277V

NOTES	D50406B: * New Construction Housing Available Driver Enclosure = 8" x 10" x 6" w/10' Standard Connecting Cable Installation Depth = 6.5"	WEB LINKS: D50406B
	0-10V dimming option, available for 277V	