

DATE:

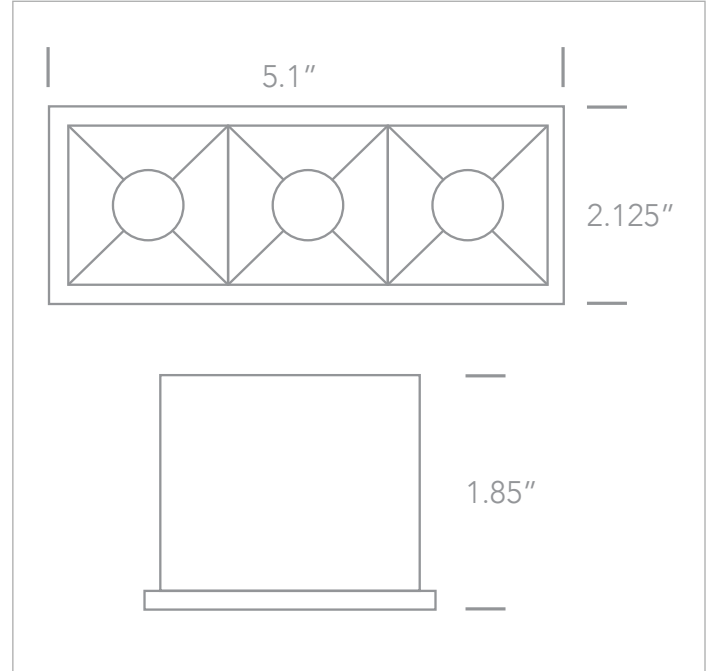
CUSTOMER:

PROJECT:

QUANTITY:

SENECA12 *D50306B*

12W COB LED Recessed Spot w/ Dark Chrome Reflector



EXAMPLE:

FAMILY	ITEM#	FINISH	WATTAGE	LUMENS	CCT	BEAM	DRIVER	IP RATING	INPUT VOLTAGE
SENECA12	D50306BB	B	12W	960lm	30	38	A	20	120



FAMILY	ITEM#	FINISH	WATTAGE	LUMENS	CCT	BEAM	DRIVER	IP RATING	INPUT VOLTAGE
SENECA12	D50306BW	W WHITE	12W	960lm	30 3000K	38 38°	A 0-10V	20 IP20	120 / 277 120V / 277V
	D50306BB	B BLACK	12W	960lm	30 3000K	38 38°	A 0-10V	20 IP20	120 / 277 120V / 277V

NOTES	D50306B: Remote Driver Enclosure = 6" x 10" x 2" w/10' Standard Connecting Cable 0-10V dimming option, available for 277V	WEB LINKS: D50306B