

DATE:

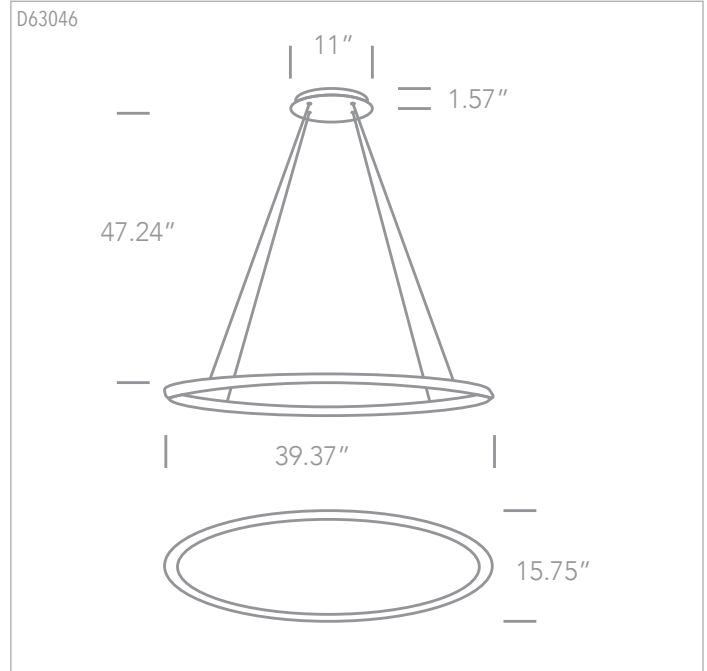
CUSTOMER:

PROJECT:

QUANTITY:

RINGPEND25 D63046

25W LED Ring Ceiling Pendant IP20



EXAMPLE:

FAMILY	ITEM#	WATTAGE	LUMENS	CCT	BEAM	FINISH	DRIVER	IP RATING	INPUT VOLTAGE
RINGPEND25	D63046	25W	1540lm	30	G	W	A	20	120



FAMILY	ITEM#	WATTAGE	LUMENS	CCT	BEAM	FINISH	DRIVER	IP RATING	INPUT VOLTAGE
RINGPEND25	D63046	25W	1540lm	30 3000K	G GENERAL	W WHITE	A 0-10V	20 IP20	120/277 120V - 277V

NOTES	D63046: Each fixture includes a 5" round mounting plate for attaching to a standard 3" octagonal junction box. Color will match fixture.	3000K CCT = Warm White	WEB LINKS: D63046
	0-10V dimming option, available for 277V		