

DATE:

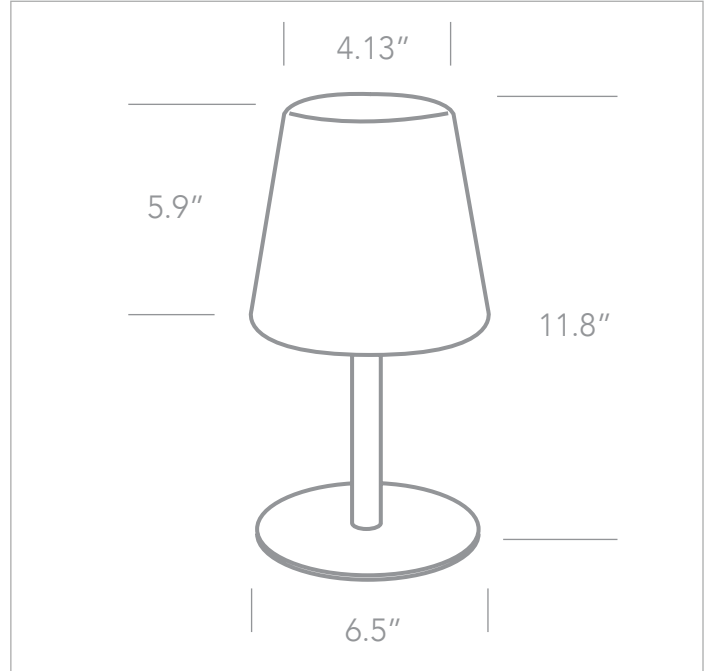
CUSTOMER:

PROJECT:

QUANTITY:

RDTL44 *D61084B*

2W SMD LED Touch 3-Switch Dimming *Rechargeable Table Lamp 



EXAMPLE:

FAMILY	ITEM#	WATTAGE	LUMENS	CCT	FINISH	DRIVER	IP RATING	INPUT VOLTAGE
RDTL44	D61084B	2W	80lm	30	B	3STD	44	120



FAMILY	ITEM#	WATTAGE	LUMENS	CCT	FINISH	DRIVER	IP RATING	INPUT VOLTAGE
RDTL44	D61084B	2W	80lm	30 3000K	B BLACK	3STD 3-STEP TOUCH DIM	44 IP44	120/277 120V - 277V

NOTES	D61084: *RECHARGEABLE USB SOCKET - Charging Time: 4 Hrs Working Time: 8 Hrs (2200mAh lithium battery) 3-STEP TOUCH DIMMING	3000K CCT = Warm White	WEB LINKS: D61084	