

DATE:

CUSTOMER:

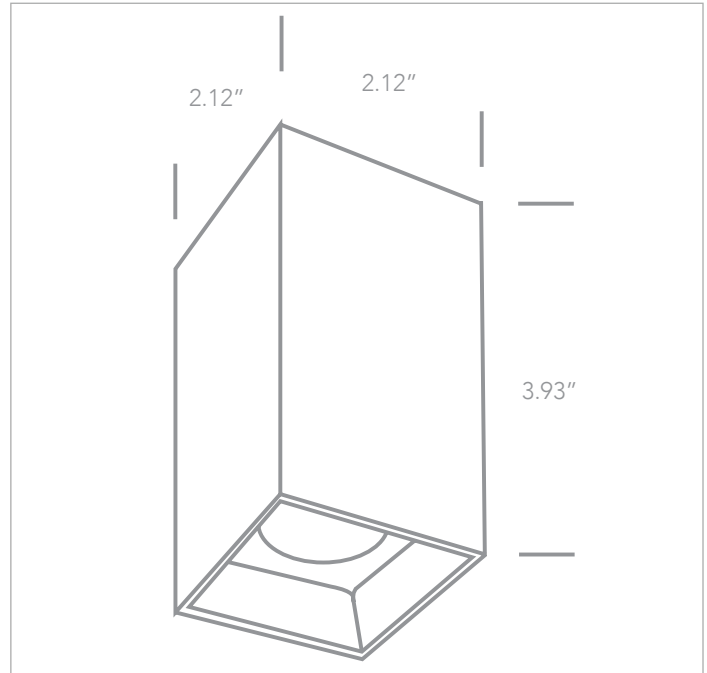
PROJECT:

QUANTITY:

KELLYDM *D12107B*

7W COB LED surface spot

IP20



EXAMPLE:

FAMILY	ITEM#	WATTAGE	LUMENS	CCT	BEAM	FINISH	DRIVER	IP RATING	INPUT VOLTAGE
KELLYDM	D12107B	7W	550lm	30	36	W	N	20	120



FAMILY	ITEM#	WATTAGE	LUMENS	CCT	BEAM	FINISH	DRIVER	IP RATING	INPUT VOLTAGE
KELLYDM	D12107B	7W	550lm	30 3000K	36 36°	W WHITE	N NON-DIM	20 IP20	120/277 120V - 277V

NOTES	<p>D12107B: Each fixture includes a 4.5" square mounting plate for attaching to a standard 3" octagonal junction box. Color will match fixture.</p> <p><i>NON-DIMMING UNDER 10 WATTS</i></p>	<p>3000K CCT = Warm White</p>	<p>WEB LINKS:</p> <p>D12107B</p>