

DATE:

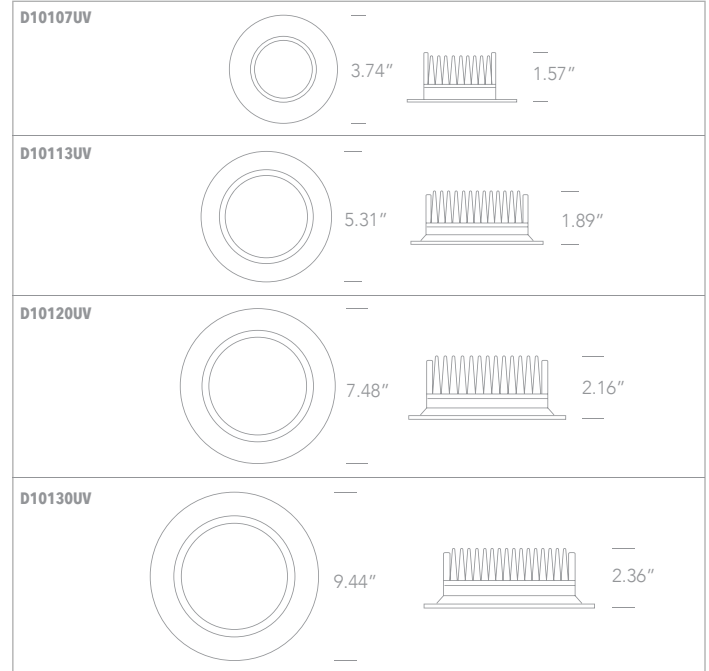
CUSTOMER:

PROJECT:

QUANTITY:

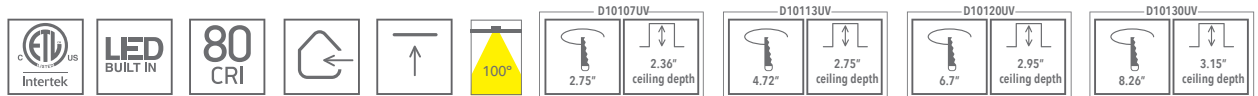
# ENNEN *D10107UV, D10113UV, D10120UV, D10130UV*

*7W, 13W, 20W, 30W SMD LED UGR19 Fixed Recessed Downlight w/ Adjustable CCT*



EXAMPLE:

FAMILY	ITEM#	FINISH	WATTAGE	LUMENS	CCT	BEAM	DRIVER	IP RATING	INPUT VOLTAGE
ENNEN	D10113UVW	W	13W	975lm	V	100	A	44	120



FAMILY	ITEM#	FINISH	WATTAGE	LUMENS	CCT	BEAM	DRIVER	IP RATING	INPUT VOLTAGE
ENNEN									
	D10107UVW	W WHITE	7W	525lm	V	100 100°	N 0-10V	44 IP44	120 / 277 120V / 277V
	D10113UVW	W WHITE	13W	975lm		100 100°	A 0-10V	44 IP44	120 / 277 120V / 277V
	D10120UVW	W WHITE	20W	1500lm		100 100°	A 0-10V	44 IP44	120 / 277 120V / 277V
	D10130UVW	W WHITE	30W	2250lm		100 100°	A 0-10V	44 IP44	120 / 277 120V / 277V

<b>NOTES</b>	<b>D10107UV / D10113UV:</b> New Construction Housing Available Driver Enclosure = 8" x 10" x 6" w/10' Standard Connecting Cable Installation Depth = 6.5" NON-DIMMING UNDER 10 WATTS	<b>D10120UV / D10130UV:</b> Remote Driver Enclosure = 6" x 10" x 2" w/10' Standard Connecting Cable 0-10V dimming option, available for 277V	<b>WEB LINKS:</b>  D10107UV D10113UV D10120UV D10130UV
	CCT: Selectable by switch at time of installation.- 3000K, 4000K, 6000K DALI & DMX OPTION: Available upon request with consultation.		