

DATE:

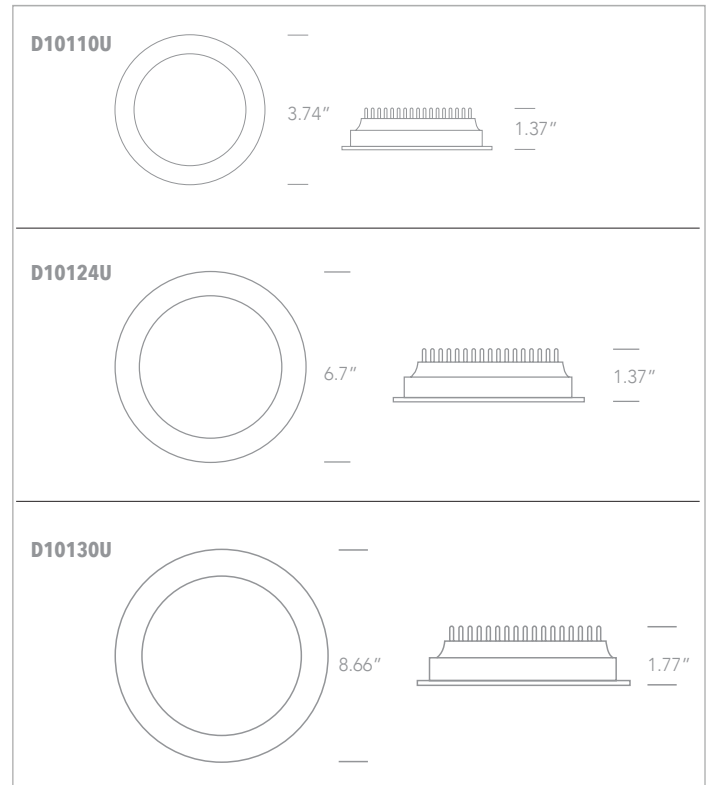
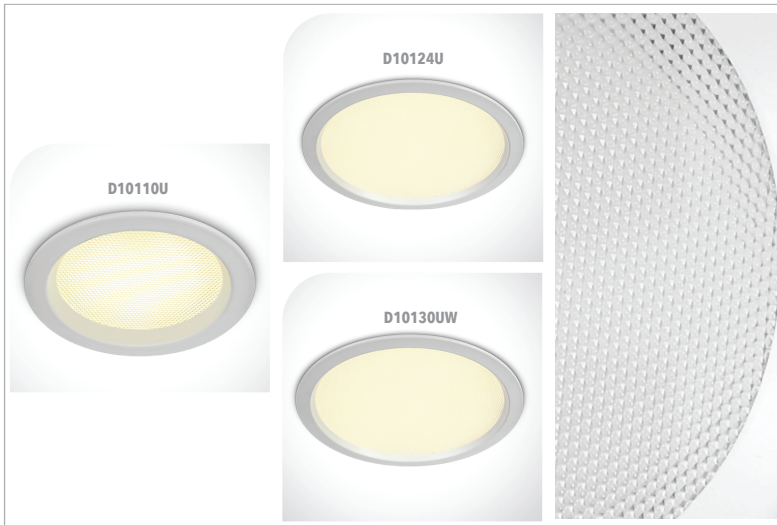
CUSTOMER:

PROJECT:

QUANTITY:

ECO-DU

D10110U, D10124U, D10130U,
10W, 24W, 30W SMD LED UGR19 Fixed Recessed Downlight



EXAMPLE:

FAMILY	ITEM#	FINISH	WATTAGE	LUMENS	CCT	BEAM	DRIVER	IP RATING	INPUT VOLTAGE
ECO-DU	D10124U	W	24W	1800lm	30	G	A	44	120



FAMILY	ITEM#	FINISH	WATTAGE	LUMENS	CCT	BEAM	DRIVER	IP RATING	INPUT VOLTAGE
ECO-DU	D10110U	W WHITE	10W	750lm	30 3000K	G Gen	A 0-10V	44 IP44	120 / 277 120V / 277V
	D10124U	W WHITE	24W	1800lm	30 3000K	G Gen	A 0-10V	44 IP44	120 / 277 120V / 277V
	D10130UW	W WHITE	30W	2250lm	30 3000K	G Gen	A 0-10V	44 IP44	120 / 277 120V / 277V

NOTES	D10110U: New Construction Housing Available Driver Enclosure = 8" x 10" x 6" w/10' Standard Connecting Cable Installation Depth = 6.5" Consult for dimming	D10124U: New Construction Housing Available Driver Enclosure = 8" x 10" x 6" w/10' Standard Connecting Cable Installation Depth = 6.5" 0-10V dimming option, available for 277V	WEB LINKS: D10110U D10124U D10130U
	D10130U: Remote Driver Enclosure = 6" x 10" x 2" w/10' Standard Connecting Cable 0-10V dimming option, available for 277V		