

DATE:

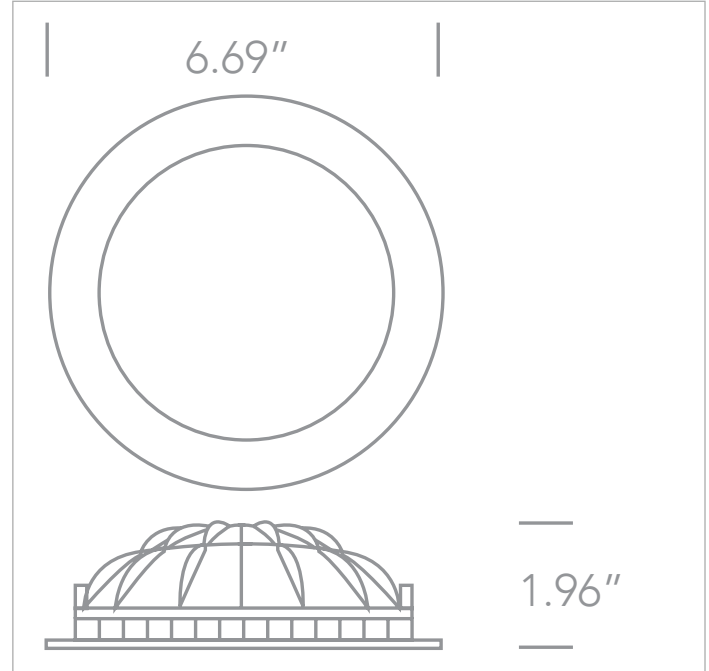
CUSTOMER:

PROJECT:

QUANTITY:

# DLDR D10116FD

16W SMD 2835 LED Recessed Dark Light Downlight Dome Reflector - White or Black with Brass



EXAMPLE:

FAMILY	ITEM#	FINISH	WATTAGE	LUMENS	CCT	BEAM	DRIVER	IP RATING	INPUT VOLTAGE
DLDR	D10116FD	W	16W	800lm	30	G	A	20	120



FAMILY	ITEM#	FINISH	WATTAGE	LUMENS	CCT	BEAM	DRIVER	IP RATING	INPUT VOLTAGE
DLDR									
	D10116FDW	W WHT/BRSS	16W	800lm	30 3000K	G Gen	A 0-10V	20 IP20	120 / 277 120V / 277V
	D10116FDB	B BLK/BRSS	16W	800lm	30 3000K	G Gen	A 0-10V	20 IP20	120 / 277 120V / 277V

<b>NOTES</b>	D10116FD: * New Construction Housing Available * = 6.5" Ceiling Depth Required	<b>WEB LINKS:</b>  D10116FD	