

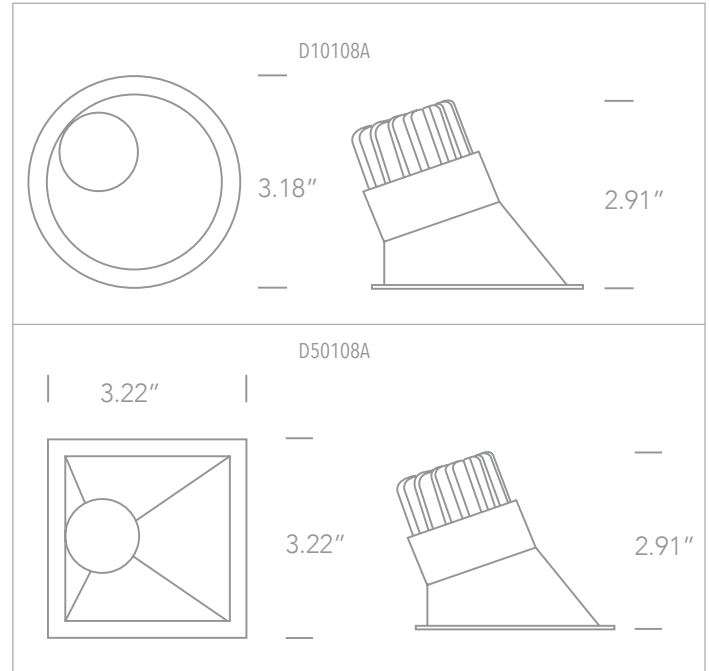
DATE:

CUSTOMER:

PROJECT:

QUANTITY:

MUNRO *8W COB LED dark light recessed spot w/ asymmetric reflector*



EXAMPLE:

FAMILY	ITEM#	WATTAGE	LUMENS	CCT	BEAM	FINISH	DRIVER	IP RATING	INPUT VOLTAGE
MUNRO	D10108A	8W	560lm	30	50	W	N	20	120



FAMILY	ITEM#	WATTAGE	LUMENS	CCT	BEAM	FINISH	DRIVER	IP RATING	INPUT VOLTAGE
MUNRO	D10108A	8W	560lm	30 3000K	50 50°	W WHITE	N NON-DIM	20 IP20	120/277 120V - 277V
	D50108A	8W	560lm	30 3000K	50 50°	W WHITE	N NON-DIM	20 IP20	120/277 120V - 277V

NOTES	D10108A / D50108A: New Construction Housing Available Driver Enclosure = 8" x 10" x 6" w/10' Standard Connecting Cable Installation Depth = 6.5" NON-DIMMING UNDER 10 WATTS	WEB LINKS: D10108A D50108A