

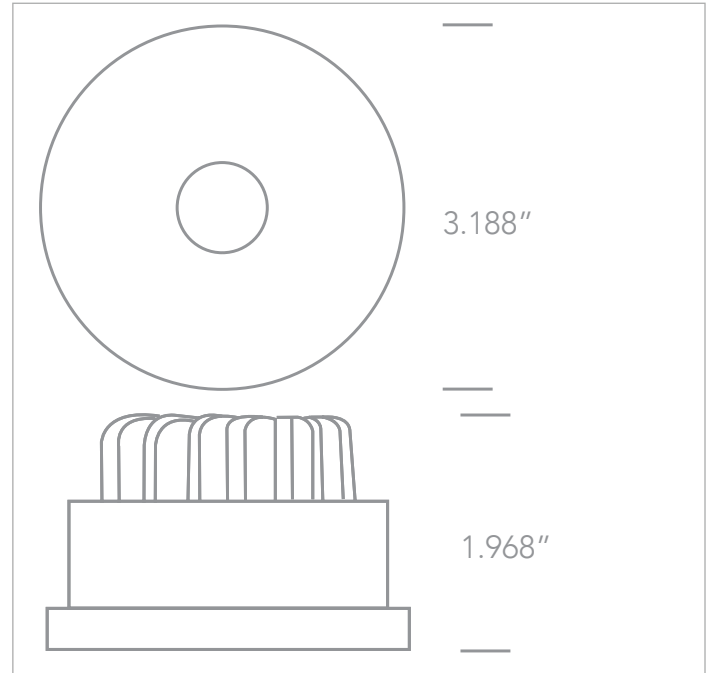
DATE:

CUSTOMER:

PROJECT:

QUANTITY:

CASCO 8W COB LED recessed spot



EXAMPLE:

FAMILY	ITEM#	WATTAGE	LUMENS	CCT	BEAM	FINISH	DRIVER	IP RATING	INPUT VOLTAGE
CASCO	D10108RB	8W	560lm	30	60	B	N	20	120



FAMILY	ITEM#	WATTAGE	LUMENS	CCT	BEAM	FINISH	DRIVER	IP RATING	INPUT VOLTAGE
CASCO	D10108RW	8W	560lm	30 3000K	60 60°	W WHITE	N NON-DIM	20 IP20	120/277 120V - 277V
	D10108RB	8W	560lm	30 3000K	60 60°	B BLACK	N NON-DIM	20 IP20	120/277 120V - 277V

NOTES	<p>D10108RW / D10108RB: New Construction Housing Available Driver Enclosure = 8" x 10" x 6" w/10' Standard Connecting Cable Installation Depth = 6.5" NON-DIMMING UNDER 10 WATTS</p>	WEB LINKS:
		<p>D10108RW D10108RB</p>