

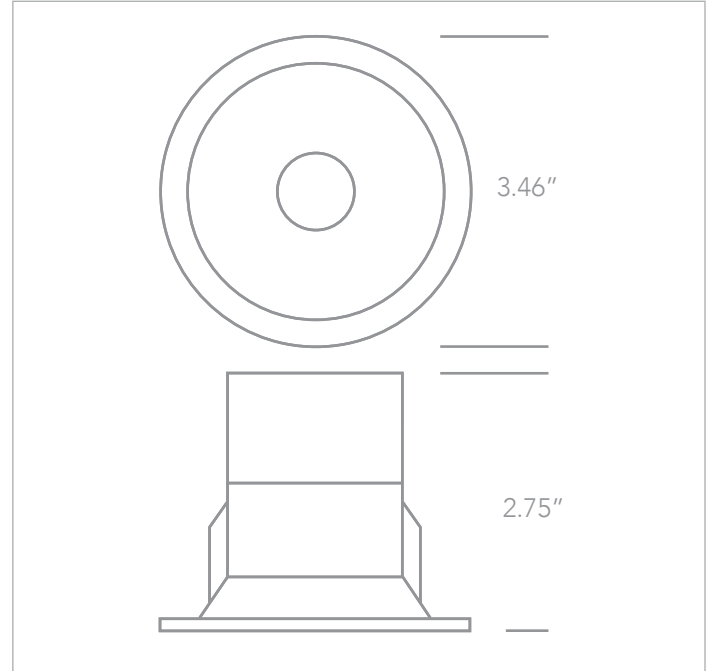
DATE:

CUSTOMER:

PROJECT:

QUANTITY:

ABESCON *8W COB LED Dark light recessed spot*



EXAMPLE:

FAMILY	ITEM#	WATTAGE	LUMENS	CCT	BEAM	FINISH	DRIVER	IP RATING	INPUT VOLTAGE
ABESCON	D10108D-W-W	8W	600lm	30	36	B	N	20	120



FAMILY	ITEM#	FINISH	WATTAGE	LUMENS	CCT	BEAM	DRIVER	IP RATING	INPUT VOLTAGE
ABESCON									
	D10108D-W-W	W WHITE	8W	600lm	30 3000K	36 36°	N NON-DIM	20 IP20	120/277 120V / 277V
	D10108D-B-W	B BLACK	8W	600lm	30 3000K	36 36°	N NON-DIM	20 IP20	120/277 120V / 277V
	D10108D-BS-W	BS BRASS	8W	600lm	30 3000K	36 36°	N NON-DIM	20 IP20	120/277 120V / 277V

NOTES	D10108D: New Construction Housing Available Driver Enclosure = 8" x 10" x 6" w/10' Standard Connecting Cable Installation Depth = 6.5" NON-DIMMING UNDER 10 WATTS	WEB LINKS: D10108D-W-W D10108D-B-W D10108D-BS-W