

DATE:

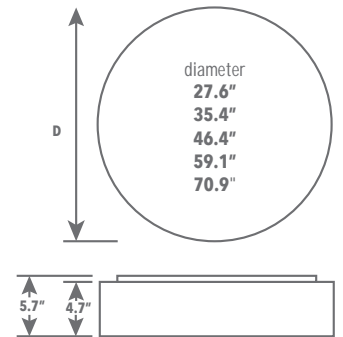
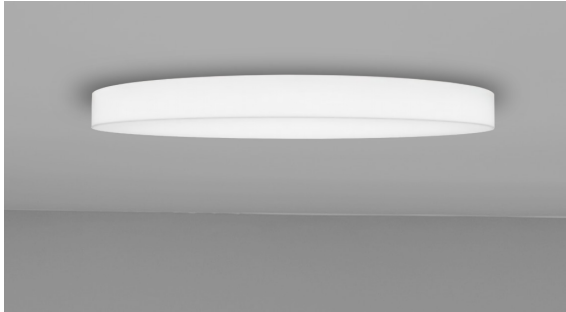
CUSTOMER:

PROJECT:

QUANTITY:

## PLL20 *Round 59.1W / 72.8W / 141W / 241W / 368W LED Full-Acrylic*

### Surface-Mounted or Pendant



Driver is Universal 0-10V

PLL20				
FAMILY	PART#	Size	Watts/Lumens	Temp
			C= Ceiling P= Pendant	
	<b>L640101</b>	27.6"	59.1W/6170lm	3000K
	<b>L640102</b>	27.6"	59.1W/6360lm	4000K
	<b>L640103</b>	35.4"	72.8W/7560lm	3000K
	<b>L640104</b>	35.4"	72.8W/7790lm	4000K
	<b>L640105</b>	46.4"	141.0W/14750lm	3000K
	<b>L640106</b>	46.4"	141.0W/15190lm	4000K
	<b>L640107</b>	59.1"	241.0W/24970lm	3000K
	<b>L640108</b>	59.1"	241.0W/25720lm	4000K
	<b>L640109</b>	70.9"	368.0W/38540lm	3000K
	<b>L640110</b>	70.9"	368.0W/39960lm	4000K

<b>NOTES</b>	Prestigious luminaire in round design for homogenous lighting and balanced with round design for homogenous lighting and balanced room ambience, easy maintenance, no UV and thermal emissions, ceiling mounting plate and technique unit made from metal, opal-white acrylic diffuser (removable via lock fasteners), ceiling mounting via screwable plate, 5-pole terminal block, LED converter integrated.	<b>WEB LINKS:</b>
--------------	---	-------------------