

date	
customer	
project	
quantity	

SKAI LED Luminaire

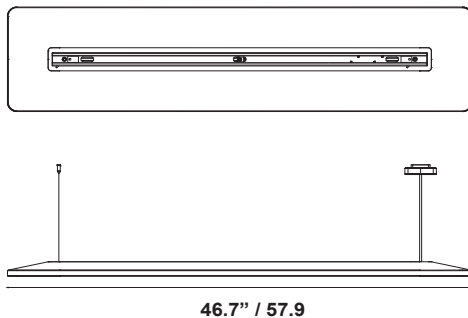
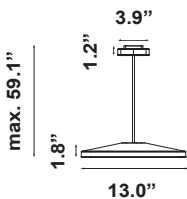


Family	Wattage / Lumens / Length / Beam				Mounting	CCT		Finish	Driver	Input voltage	
SKAI											
S1	30W	>4050lm	46.7in	direct	P	830	3000K	W	N	120	120V input
S2	37W	>4900lm	57.9in	direct	S	840	4000K	B	A	277	277V input
S3	51W	>5550lm	46.7in	direct/indirect		DW	2700K to 6500K	R	C		
S4	56W	>6450lm	57.9in	direct/indirect							

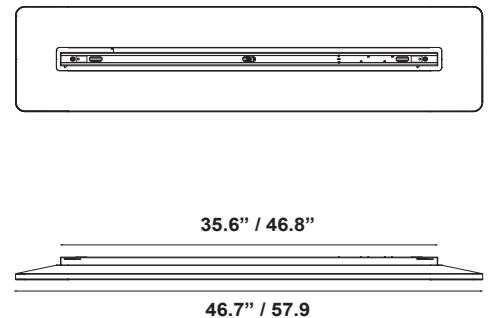


example...

Family	Wattage / Lumens / Length / Beam				Mounting	CCT	Finish	Driver	Input voltage
SKAI	S1				P	830	W	A	120



pendant



surface