

date	
customer	
project	
quantity	

LILI LED

Luminaire

High-class LED luminaire designed for direct or direct-indirect light emission, with round lamp housing in a flat design made of seamlessly welded, powder-coated extruded aluminum. Available in white or RAL color. Electrical connection through 3 or 5-pin transparent power supply cable and ceiling housing. Indirect light emission through separate LED boards. Indirect light emission from 10 to 25%, depending on the size of the luminaire and the power output. Direct light emission through a diffuser made of satined PMMA for an almost homogeneous emission of light or a satined PMMA microprism for reduced brightness (LRA). Indirect light emission through a diffuser made of satined PMMA. Luminaire equipped with the latest generation of LED boards, small color tolerance MacAdam 3.

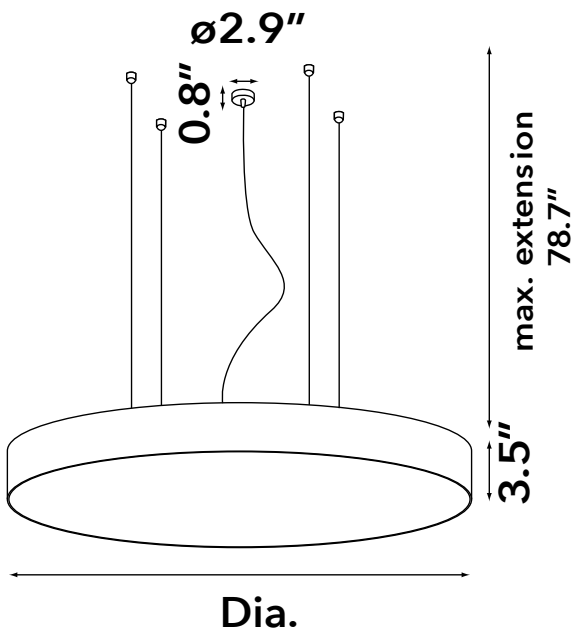


Family	Size / Wattage / Lumens				CCT		Finish		Diffuser		Driver		IP Rating		Input voltage		
LILI																	
DIRECT	PD1	18.5W	>1934lm	pendant	direct	30	3000K	W	white	S	satine	N	non dim	20	IP20	120	120V input
	PD2	27W	>3019lm	pendant	direct	40	4000K	S	silver	M	microprism	A	0-10V			277	277V input
	PD3	51W	>6353lm	pendant	direct	DW	*2700K to 6500K	R	RAL color			C	consult for options				
	PD4	96W	>12988lm	pendant	direct												
	PD5	172W	>23507lm	pendant	direct												
DIRECT/INDIRECT	PDI1	46W	>4671lm	pendant	dir.-ind.												
	PDI2	78W	>8763lm	pendant	dir.-ind.												
	PDI3	135W	>16057lm	pendant	dir.-ind.												
	PDI4	209W	>26256lm	pendant	dir.-ind.												

Notes: (*) not available for direct-indirect - PDI

example...

Family	Size / Wattage / Lumens				CCT		Finish		Diffuser		Driver		IP Rating		Input voltage	
LILI																



Pendant-Direct		Pendant-Direct / Indirect	
PD	LxW	PDI	LxW
PD1	13" dia.	PDI1	16.5" dia.
PD2	16.5" dia.	PDI2	24.4" dia.
PD3	24.4" dia.	PDI3	36.2" dia.
PD4	36.2" dia.	PDI4	48.0" dia.
PD5	48.0" dia.		