

date	
customer	
project	
quantity	

LIHA LED Pendant Luminaire



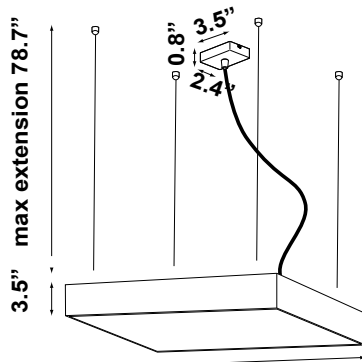
High-class LED luminaire, with square lamp housing in a flat design made of seamlessly welded, powder-coated extruded aluminum. Available in silver or white fine matte finish. Base plate made of steel sheet for holding the LED boards and the electronics. Electrical connection through 3 or 5-pin transparent power supply cable and ceiling housing. Light emission through a diffuser made of satined PMMA for an almost homogeneous emission of light or a satined PMMA microprism for reduced brightness (LRA). Luminaire equipped with the latest generation of LED boards, color rendering index Ra > 80, small colour tolerance MacAdam 3.



Family	Wattage / Lumens / Mounting				CCT		Finish		Diffuser		Driver		IP Rating		Input voltage	
LIHA																
PD1	21W	>2378lm	pendant	direct	30	3000K	W	white	S	satine	N	non dim	20	IP20	120	120V input
PD2	35W	>4457lm	pendant	direct	40	4000K	S	silver	M	microprism	A	0-10V			277	277V input
PD3	66W	>9257lm	pendant	direct	DW	*2700K to 6500K	R	RAL color			C	consult for options				
PD4	124W	>18079lm	pendant	direct												
PD5	221W	>30542lm	pendant	direct												
	DIRECT / INDIRECT															
PD11	54W	>5949lm	pendant	dir.-ind.												
PD12	92W	>11364lm	pendant	dir.-ind.												
PD13	163W	>20592lm	pendant	dir.-ind.												
PD14	258W	>33042lm	pendant	dir.-ind.												

Notes: (*) not available in direct-indirect

example...	Family	Wattage / Lumens / Mounting			CCT	Finish	Diffuser	Driver	IP Rating	Input voltage
	LIHA	PD11			30	W	S	A	20	120



PENDANT LxW

PD11	17.7" x 17.7"
PD12	23.6" x 23.6"
PD13	35.4" x 35.4"
PD14	47.4" x 47.7"