



date _____
 customer _____
 project _____
 quantity _____

OUTDOOR WALL UP & DOWN Luminaire

NEA Luminaire

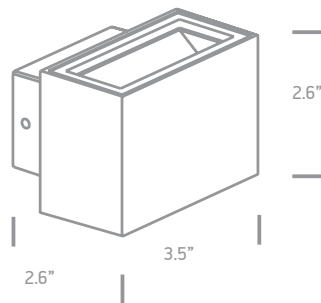


Family	Item / Wattage / Lumens	CCT	Beam	Finish	Driver	IP Rating	Input voltage								
NEA	D67374	2x3W	>2x200lm	30	3000K	G	general	W	white	N	non dim	54	IP54	120	120V input
	D67374A	2x6W	>2x400lm					A	anthracite					277	277V input

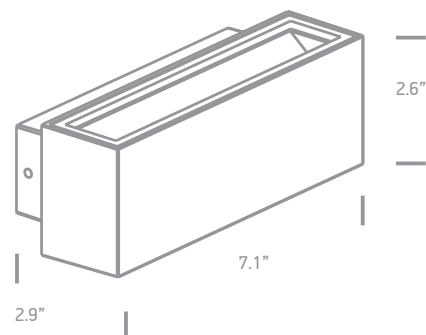


example...

Family	Item / Wattage / Lumens	CCT	Beam	Finish	Driver	IP Rating	Input voltage
NEA	D67374	30	G	W	N	54	120



D67374



D67374A