



date _____
 customer _____
 project _____
 quantity _____

Square Grazer®'s unique design, with PSU integrated, is a perfect solution for architectural illumination using 48W, 79W or 160W that perfectly fits as part of the architecture.

The swivel head projector comes with a wide range of colors (from cold white to RGBW) and optics (9°, 28°, 45°, 70° and 10°x54°) which helps to create many lighting atmospheres with great precision.

Square Grazer finds the optimal balance between aesthetical and functional values, technical perfection and easy mounting.

SQUARE GRAZER Luminaire



Family	Finish	Type/Wattage	Color temp	Beam	Driver	Input voltage
MC-75006	0 silver	2 ** SQ Grazer 40 LEDs 48W	80/2K8 2800K	9 9 deg	N non dim	120 120 input
	2 black	4 *** SQ Grazer 66 LEDs 79W	80/4K 4000K	28 28 deg	D DMX	277 277v input
	3 white	5 **** SQ Grazer 2 x 66 LEDs	80/6K 6000K	45 45 deg		
	4 *corten	160W	2K8-6K smart white	72 72 deg		
			09 blue	10x54 10x54 deg		
			11 RGB			
			11-4K RGBW			

Notes: (*) The Corten Finish is Only Available in the 40 LED's Type
 (**) Max connected = 15
 (***) Max connected = 10
 (****) Max connected = 5

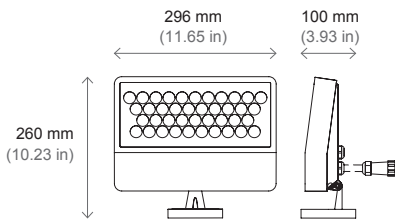
example...

Family	Finish	Wattage	Color temp	Beam	Driver	Input voltage
MC-75006	0	2	80/2K8	9	N	120

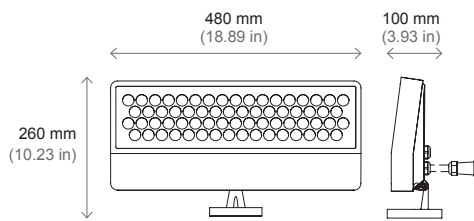
Square Grazer® 40 LEDs

Square Grazer® 66 LEDs

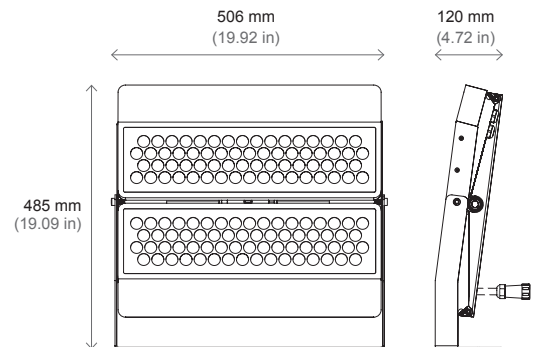
Square Grazer® 2x66 LEDs



SG1



SG2



SG3