



date	
customer	
project	
quantity	

# DOWNITO 70 DEEP

Recessed Down Light

Downito® 70 Deep is a compact 20W LED downlight for accent lighting, that allows a wide variety of lighting applications in retail (CRI 90), hospitality, residential, offices (UGR<19) and outdoors (IP65). The latest technology 35°, 50° and 70° active reflectors, designed by Bartenbach, enable light distribution with a unique precision, high performance up to 89 lm/W and a 1000 lm luminous flux. The passive reflectors in white, black, chrome, gold and RAL under request, give the possibility to play with different color luminaires. Downito® 70 is available in different color temperatures; 2700K, 3000K, 3500K and 4000K and can be controlled by 0-10V systems. Compact, precise and high-performance design, the perfect combination for your lighting projects



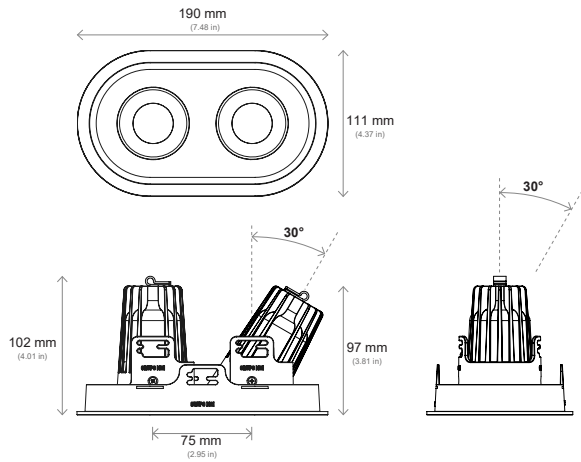
Family	Model / Wattage	IP Type	Finish	Beam / Lumens	CRI / Color temp	Diffuser	Passive Reflector	Driver	Input voltage
DOWNITO 70	7115   2 x 10W	5   IP20	0   silver	0   35 deg - 1389 - 1531lm	90/4K   4000K	C   *clear	C   chrome	N   non dim	120   120V input
		6   IP40 - Diffuser	2   black	1   50 deg - 1576 - 1737lm	90/3K5   3500K	M   *milky	B   black	A   0 - 10V	277   277V input
		8   IP65 - Diffuser	3   white	2   70 deg - 1607 - 1771lm	90/3K   3000K		W   white	N1   non dim	
					90/2K7   2700K		G   gold	A1   0 - 10V	



Notes: (\*) IP40 & IP65 only

example...

Family	Model / Wattage	IP Type	Finish	Beam / Lumens	CRI / Color temp	Diffuser	Passive Reflector	Driver	Input
DOWNITO 70	7115	6	0	0	90/3K	M	C	A1	120



7115

