













Ceiling canopy Design by CDC






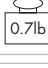
	120~ 12~	E-Trans. incl.			silver-grey ▼ 178034
		2x 150VA			
			Alu	 5.9lb	
	L/W/H: 8.7/8.7/2.2 inch				

Base for Trek² Design by CDC

	120~ 12~	E-Trans. incl.			silver-grey ▼ 178124
		2x 150VA	2 switches incl.		
	conn. lead 6.5 ft.	plug incl.	Alu	 13lb	
	L/W/H: 8.7/8.7/2.7 inch Base plate-L/W/H: 11.8/11.8/0.16 inch				

Switch in the connection lead. max. Sticklength: 6.5 ft. (2m)

Feed-in Design by CDC

	12~	Trans. excl.			silver-grey ▼ 178004
			2x 20A max.		
			Alu	 0.7lb	
	L/W/H: 2.8/2.8/3.0 inch				

excl. Connection lead.
To connect low voltage transformers to the Track 2x 20A max.
Only End Feed-In possible!
When using electronic transformers do not exceed 6.5 ft. (2m) track length.

