









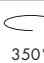










### Light Eye Spot MR16

	12~				silver-grey	138184
					MR16	50W max.
		GU5.3	Steel			
	W/H: 3.9/7.3 inch HeadØ: 3.5 inch					

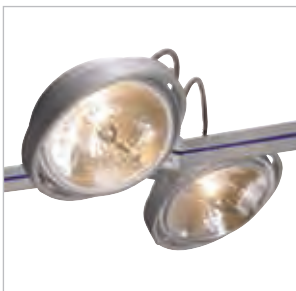





### Lika Design by CDC/FGL

	12~				silver-grey	138372
					MR16	50W max.
		G5.3	Alu			
	Ø/L: 3.1 inch/5.9 inch					





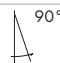


### Lika Double MR16 Design by CDC

	12~				silver-grey	138554
					MR16	2x 50W max
		GX5.3	Alu			
	L/W/H: 8.1/3.0/1.2 inch					Only suitable for Linux Tracks which have a minimum distance of 3.3" from the ceiling.

### Lika Double AR111 Design by CDC

	12~				silver-grey	138564
					AR111	2x 75W max
		G53	Steel			
	L/W/H: 12.4/5.5/1.4 inch					Only suitable for Linux Tracks which have a minimum distance of 3.3" from the ceiling.

### AR111-Spot

	12~				silver-grey	138342
					AR111	50W max.
		G53	Alu			
	Ø/H: 2.4/6.5 inch					