























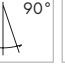



**Light Eye R111 Spot, chrome**

	120~				chrome	185582
		 350°	 90°		R111	75W max.
	 excl.	 GU10	Steel	 1.2lb		
	Head-Ø/H: 5.7/10.2 inch					





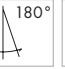



**Light Eye R111 Spot, chrome/black**

	120~				chrome/black	185580
		 350°	 90°		R111	75W max.
	 excl.	 GU10	Steel	 1.2lb		
	Head-Ø/H: 5.7/10.2 inch					

**Light Eye GU10 Spot**

	120~				chrome	185692
		 350°	 90°		GU10	50W max.
	 excl.	 GU10	Steel	 0.7lb		
	W/H: 3.9/7.9 inch Head-Ø: 3.5 inch					

**Bima I**

	120~				chrome/black	185450
		 350°	 180°		GU10	50W max.
	 excl.	 GU10	Alu	 0.7lb		
	W/H: 3.0/9.1 inch Head-Ø/H: 2.4/3.1 inch					

Light Eye Floor  
s. Page 129Light Eye X3 Pendulum fitting  
s. Page 32Light Eye Glass 4  
s. Page 33